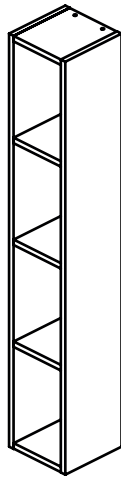
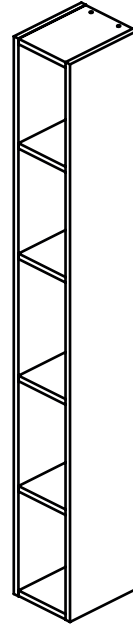


1



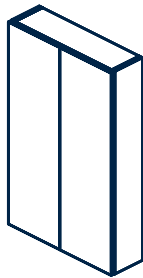
2



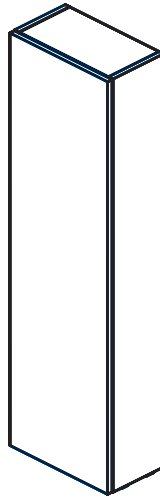
3



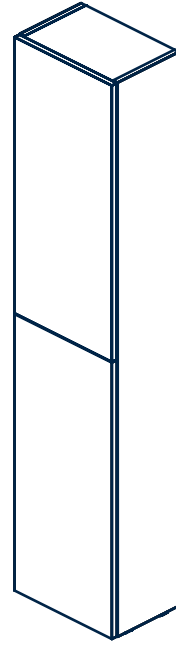
A



B

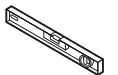
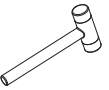
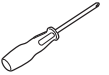


C



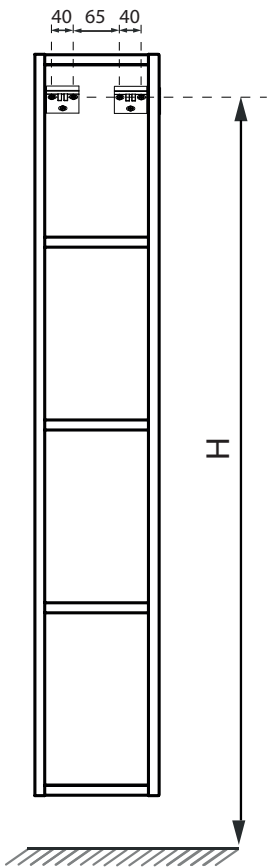
D

Tools:

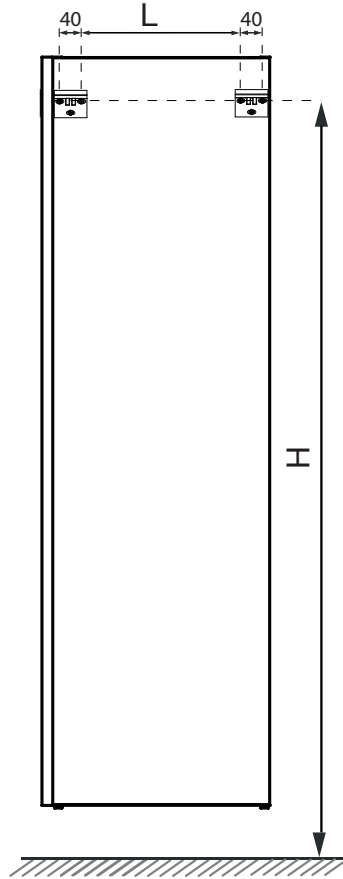


x2

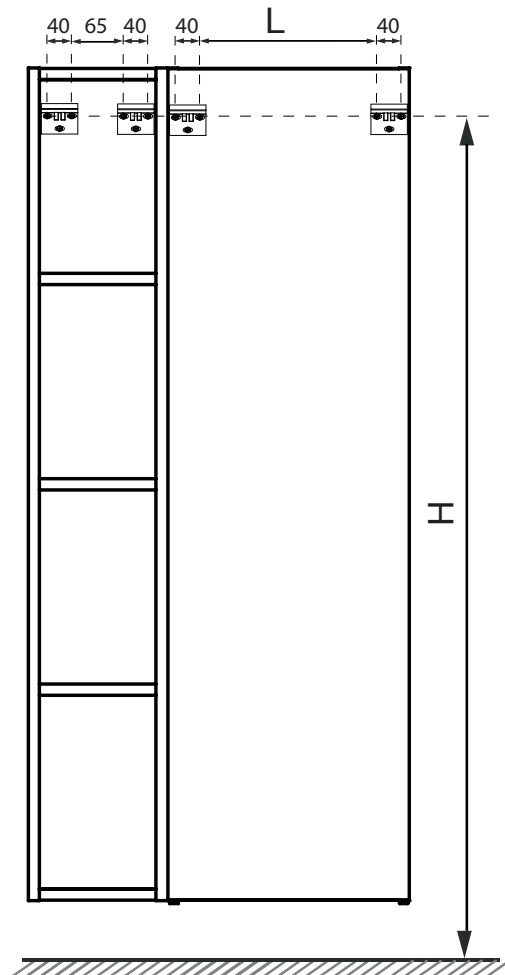
	mm		
	X	Y	Z
1	200	150	800
2	200	200	1200
3	200	240	1620
A	350	150	800
B	500	150	800
C	350	200	1200
D	350	240	1620



	1	2	3
H	1000	1400	1820

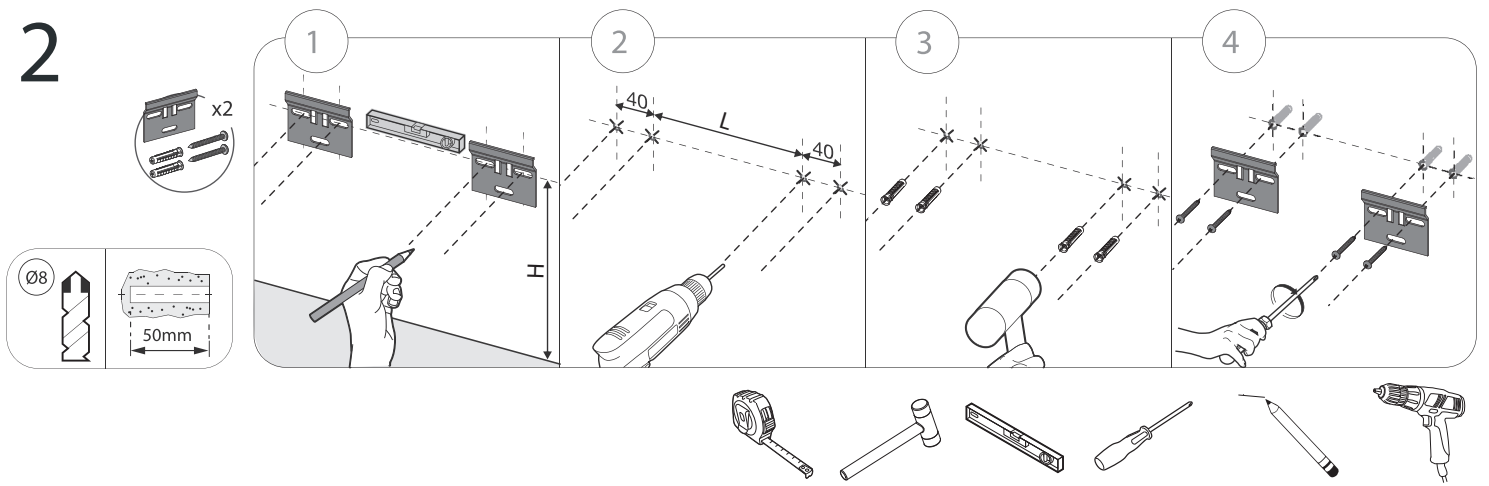


	A	B	C	D
L	215	365	215	215
H	1000	1000	1400	1820

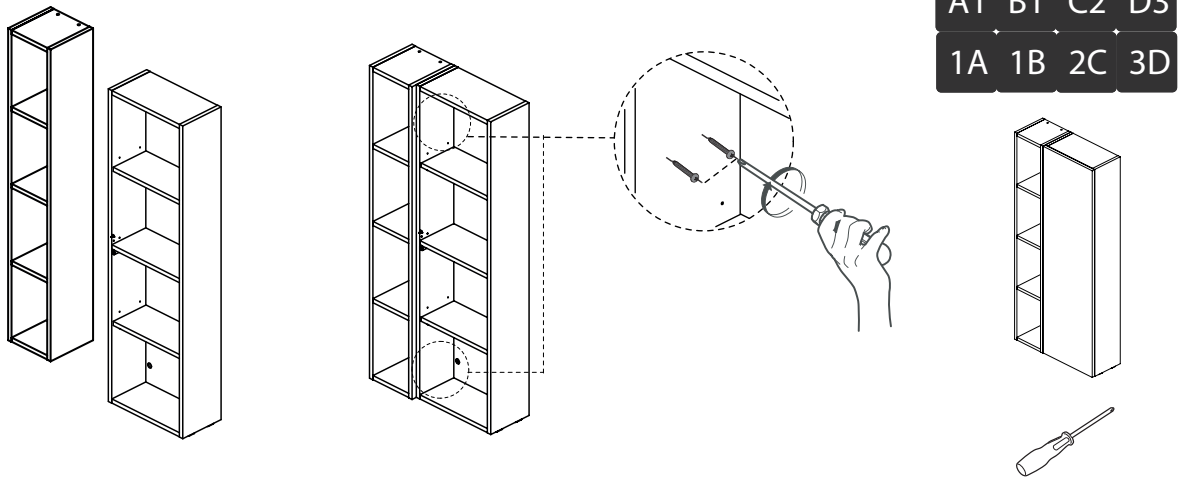


	A1	B1	C2	D3
	1A	1B	2C	3D
L	215	365	215	215
H	1000	1000	1400	1820

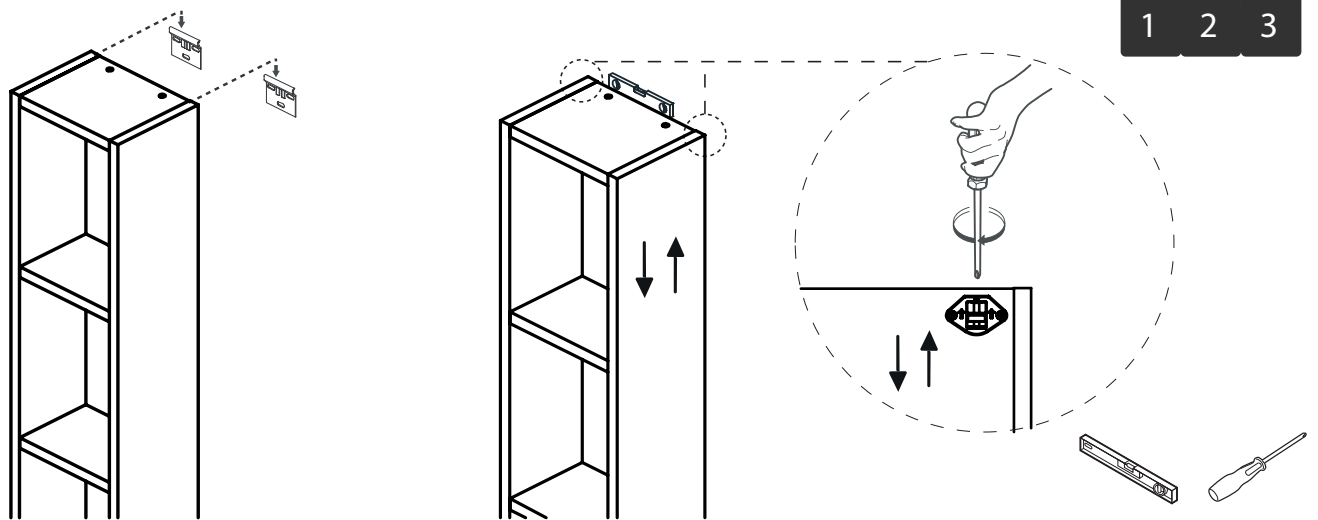
2



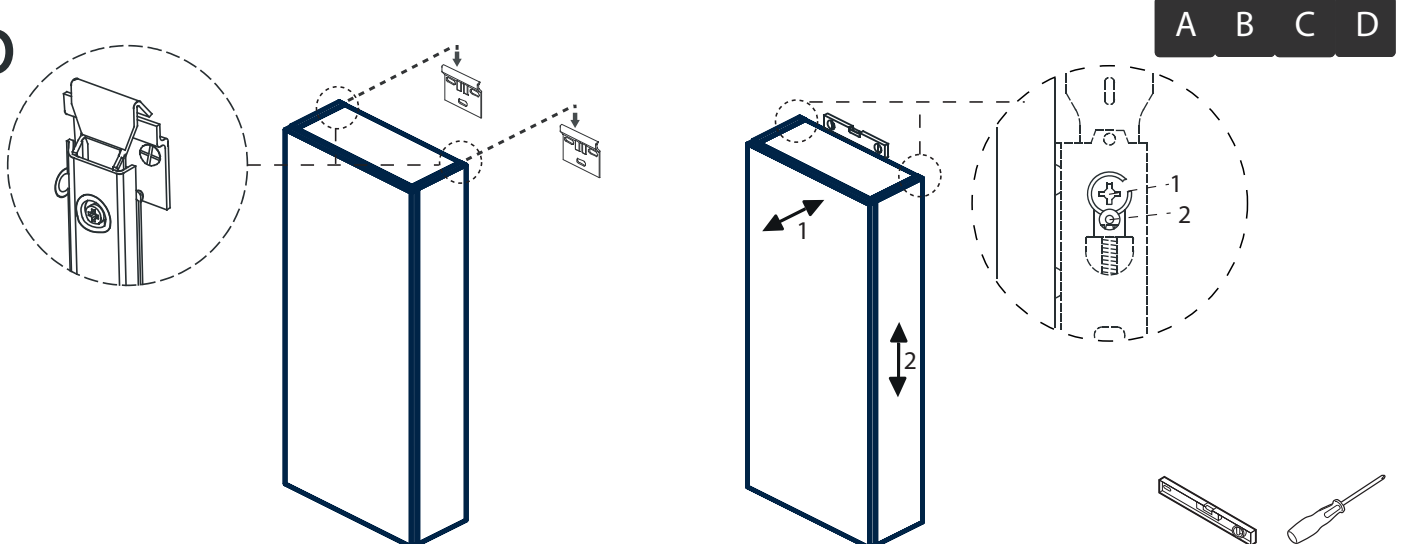
OPTIONAL



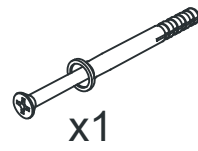
3a



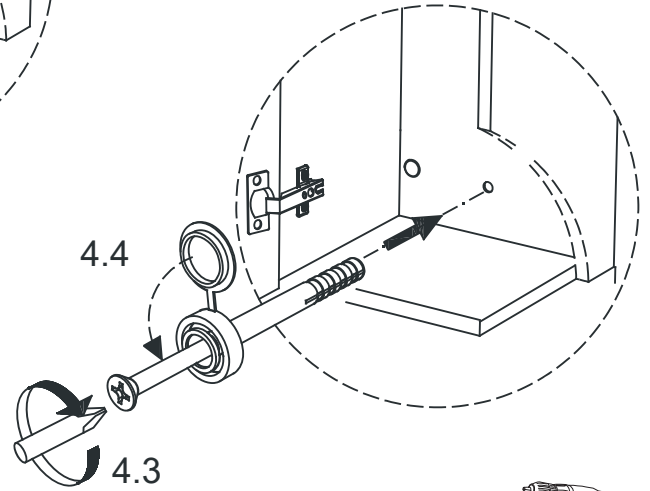
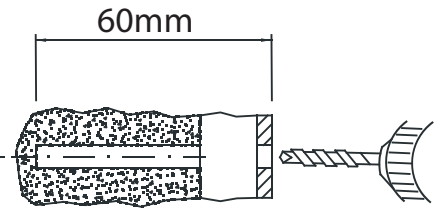
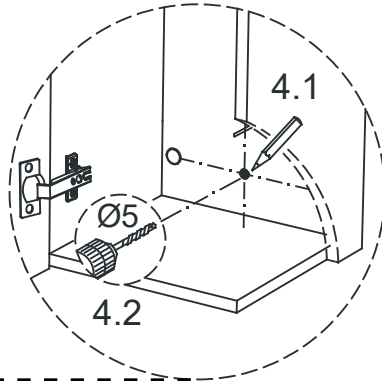
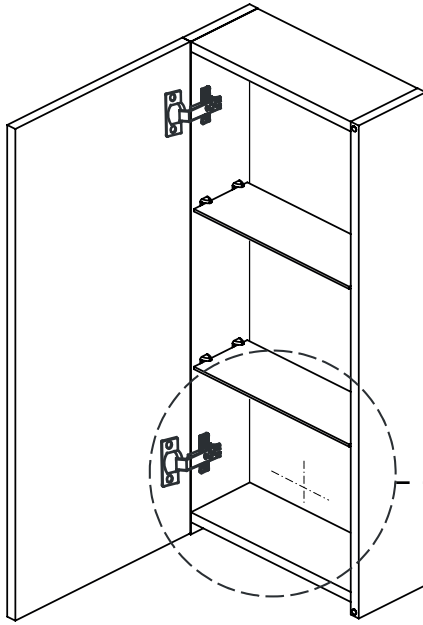
3b



4



A B C D



SETTING

A B C D

