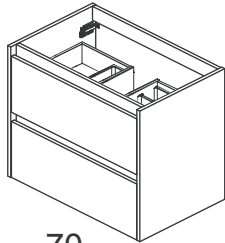
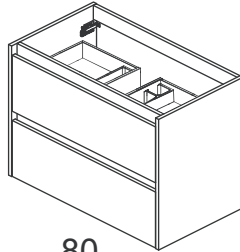


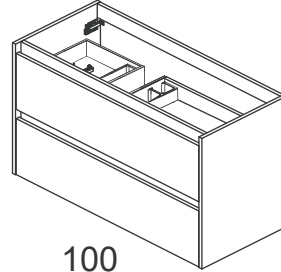
60
23 5/8"



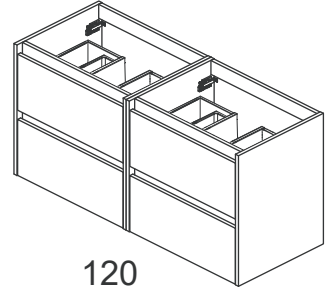
70
27 9/16"



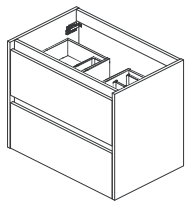
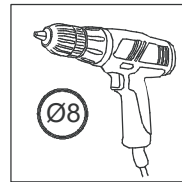
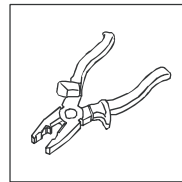
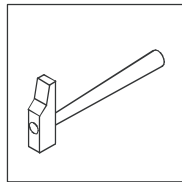
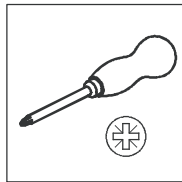
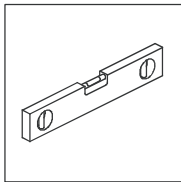
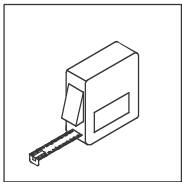
80
31 1/2"



100
39 3/8"



120
47 1/4"



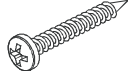
60/70/80/100
23 5/8" 27 9/16" 31 1/2" 39 3/8"



x2

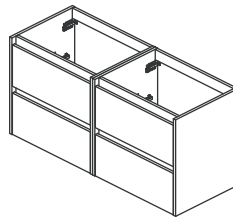


x4

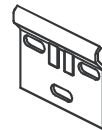


x4

BO-719



120
47 1/4"



x2



x4



x4

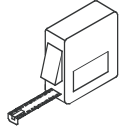


x2

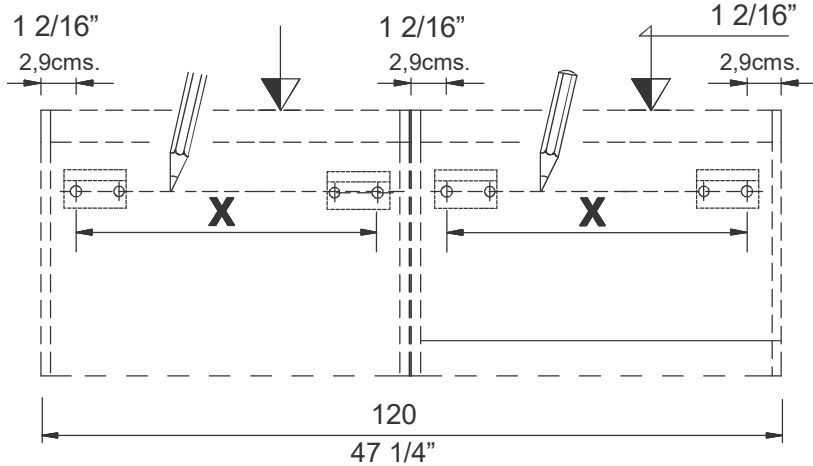
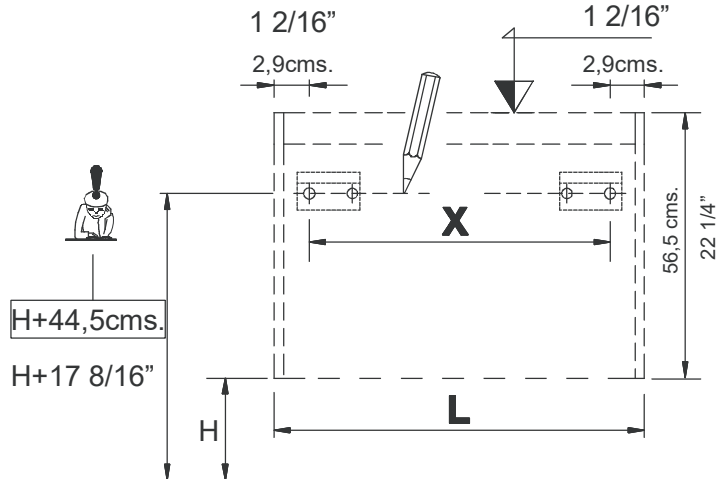
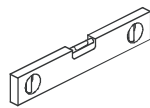
BO-719

BO-266

01.



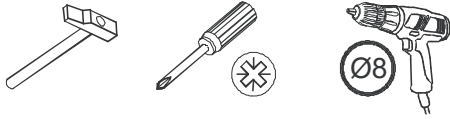
cms.



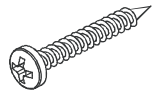
L:60cms.	→ X=53,7cms.
L:70cms.	→ X=63,7cms.
L:80cms.	→ X=73,7cms.
L:100cms.	→ X=93,7cms.
L:120cms.	→ X=53,7cms.

L:23 5/8"	→ X=21 2/16"
L:27 9/16"	→ X=25 1/16"
L:31 1/2"	→ X=29 0/16"
L:39 3/8"	→ X=36 14/16"
L:47 1/4"	→ X=21 2/16"

02.



23 5/8" 27 9/16" 31 1/2" 39 3/8"
 MLV-60/70/80/100 ————— x2
 MLV-120 ————— x4
 47 1/4"



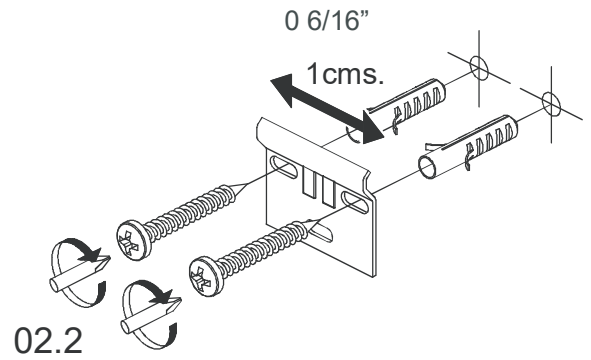
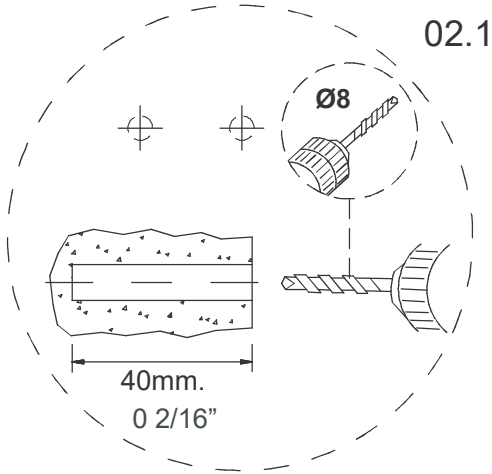
x4

x4

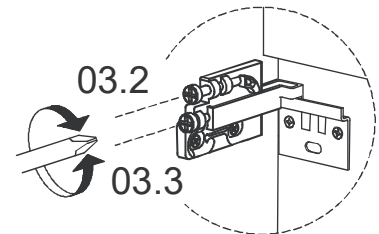
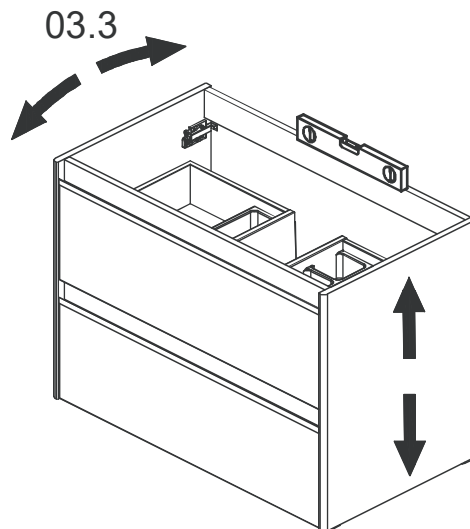
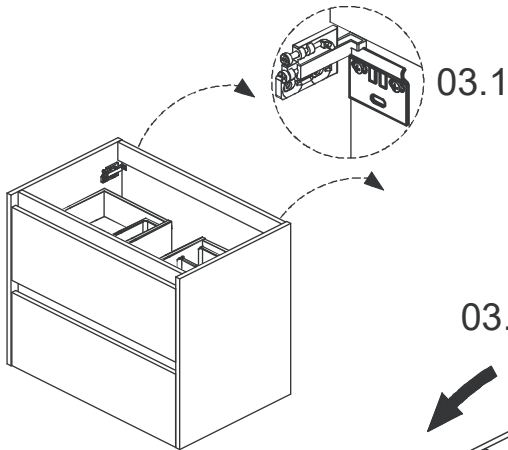
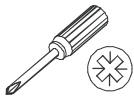
x8

x8

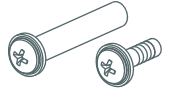
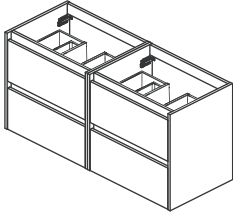
BO-719



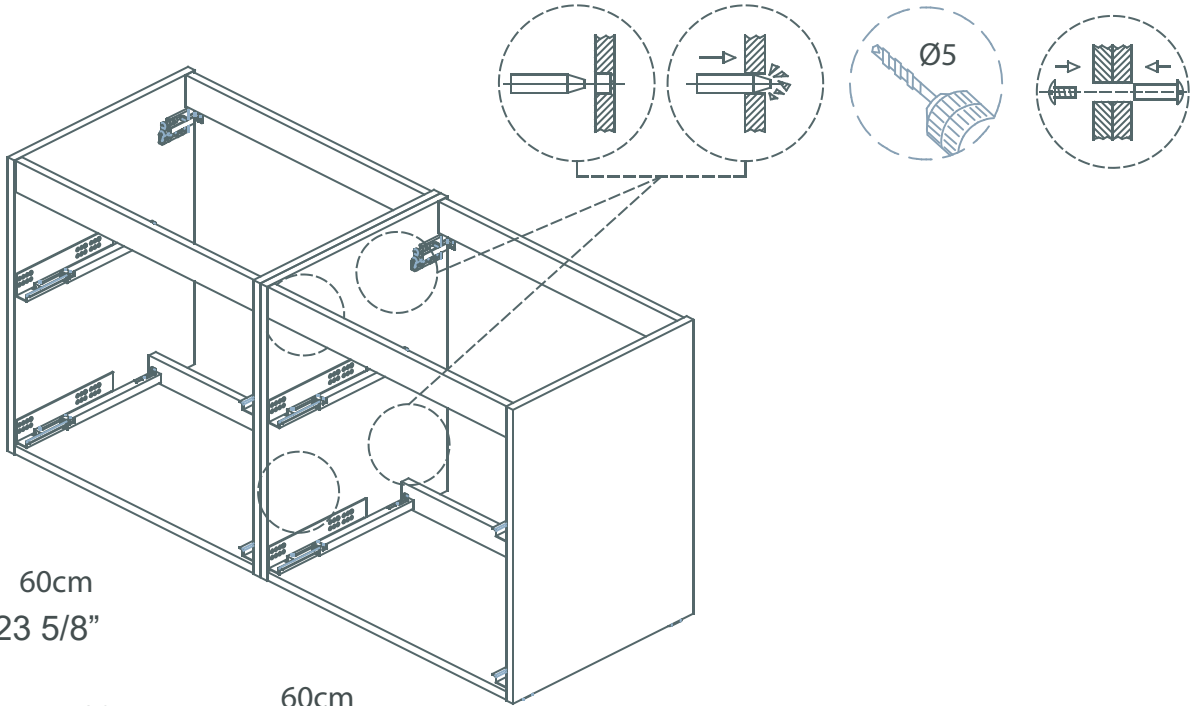
03.



04.



T2x2

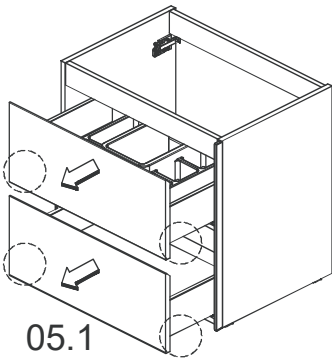


60cm
23 5/8"

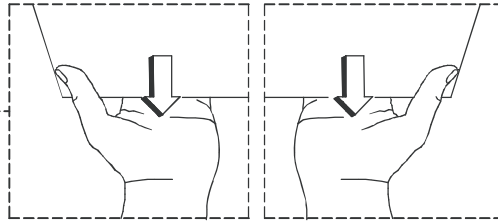
120cm
47 1/4"

60cm
23 5/8"

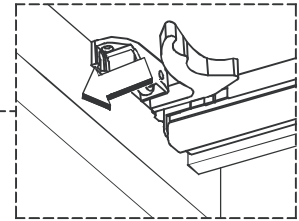
05.



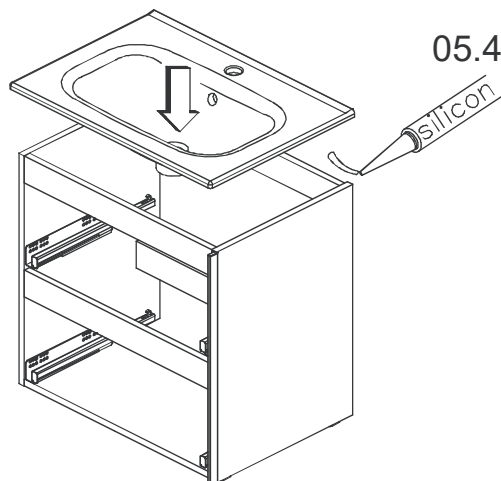
05.1



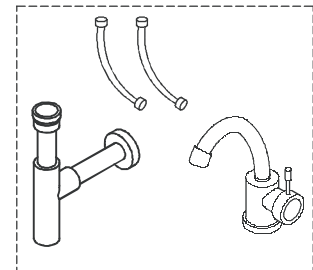
05.2



05.3

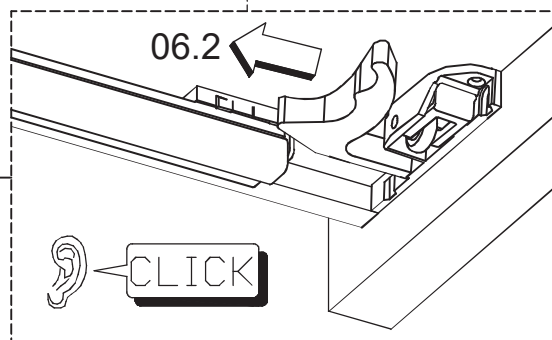
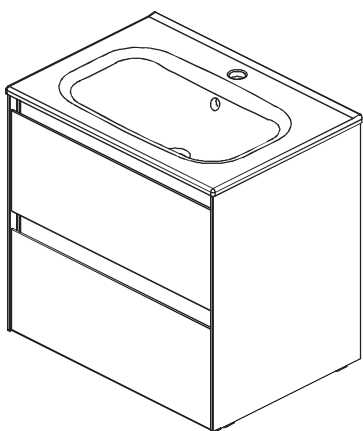
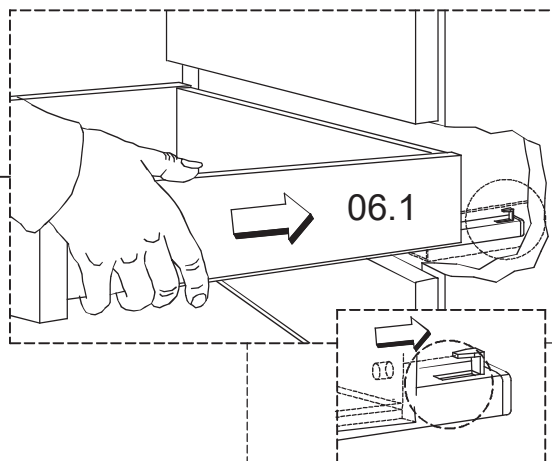
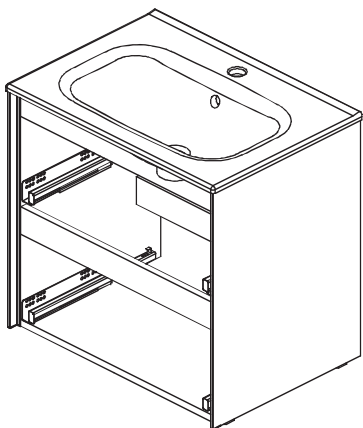


05.4

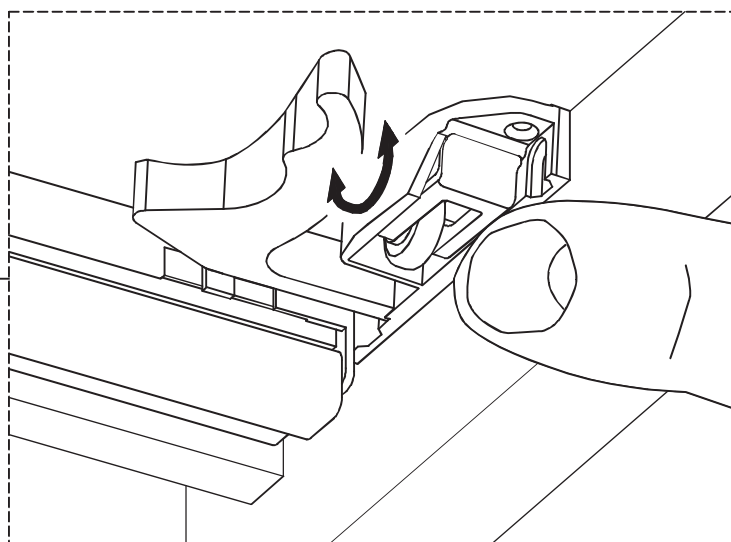
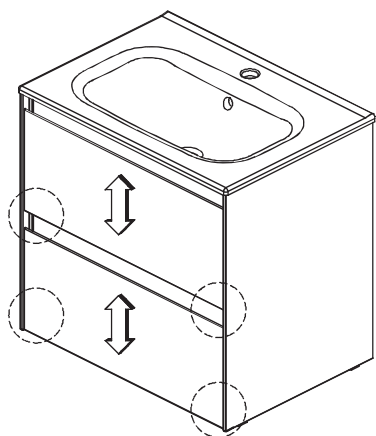


05.5

06.

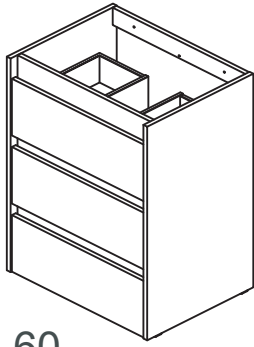
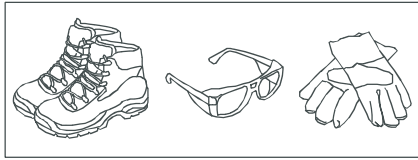


07.

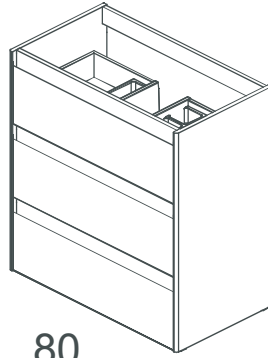


SANSA

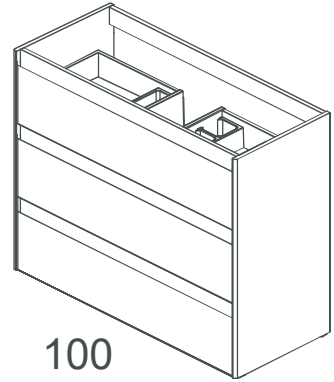
1166314



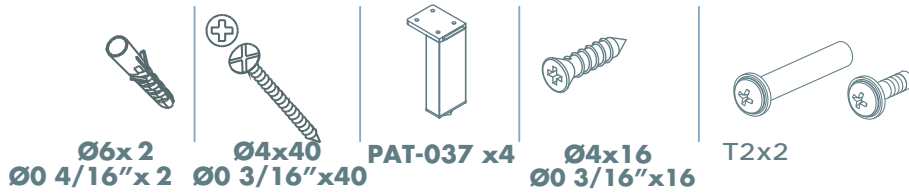
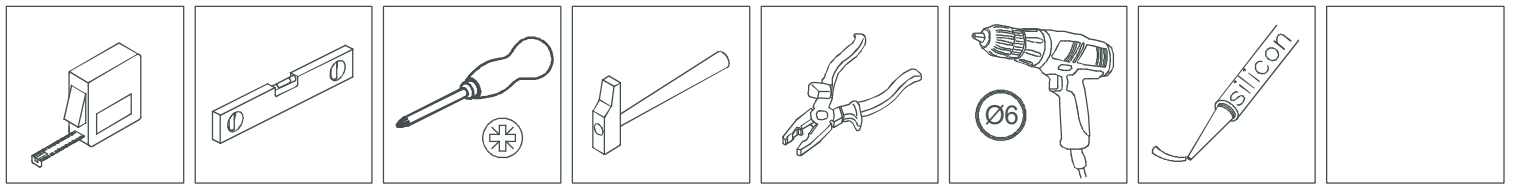
60
23 5/8"



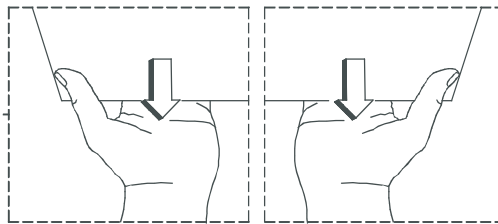
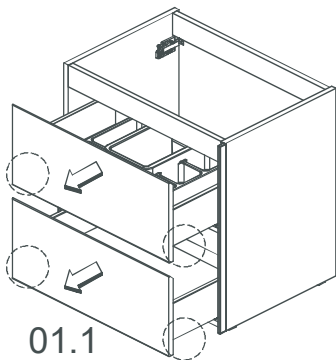
80
31 1/2"



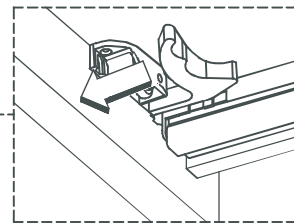
100
39 3/8"



01.

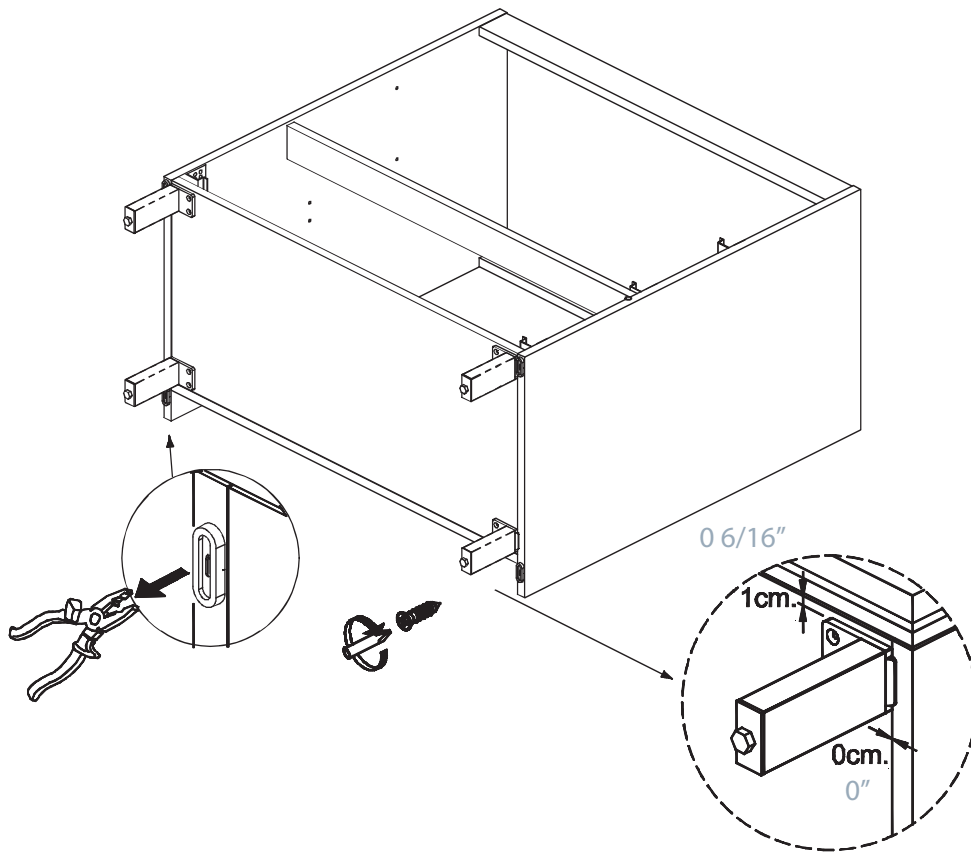
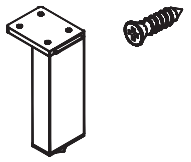
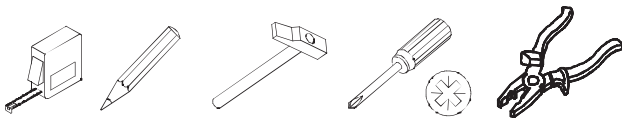


01.2

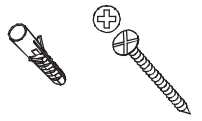
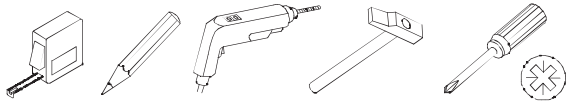


01.3

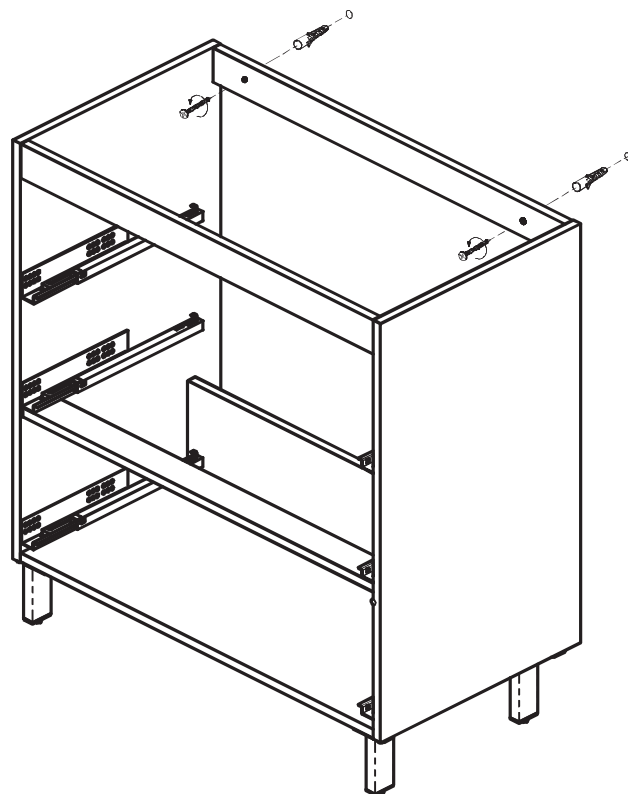
02.



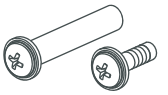
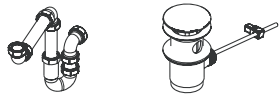
03.



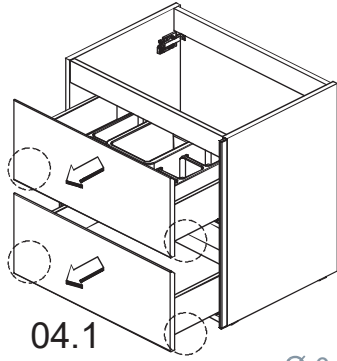
∅6x2 ∅4x40



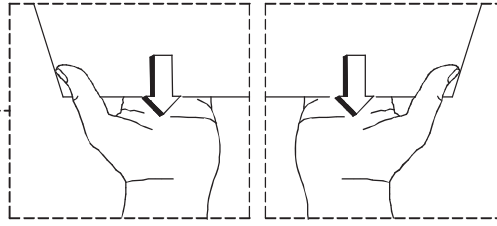
04.



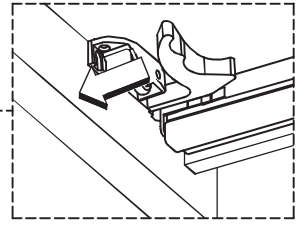
T2x2(x2)



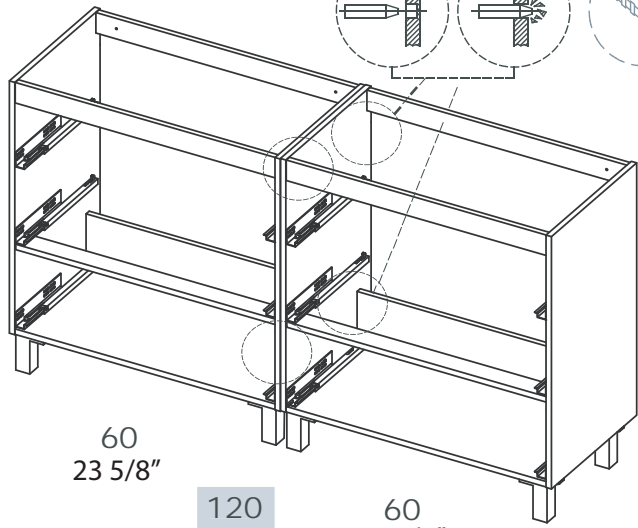
04.1



04.2



04.3

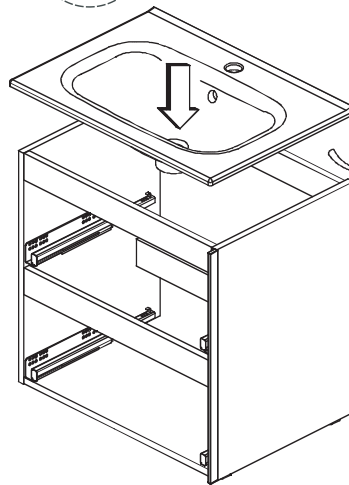
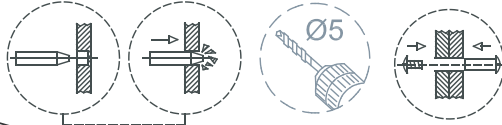


60
23 5/8"

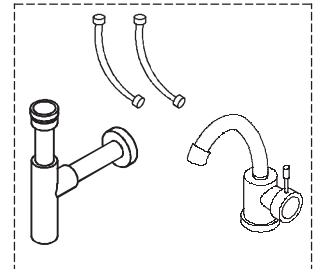
120
47 1/4"

60
23 5/8"

Ø 03/16"

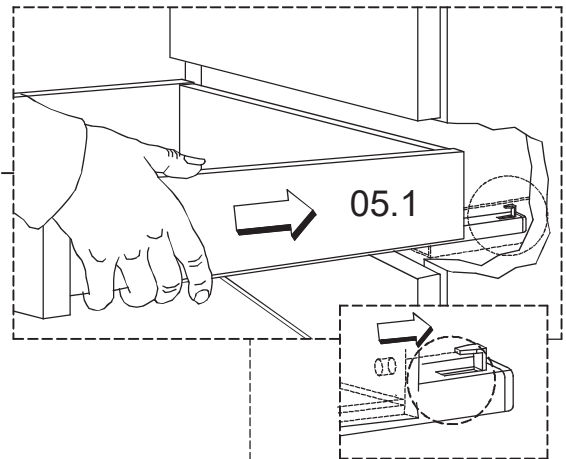
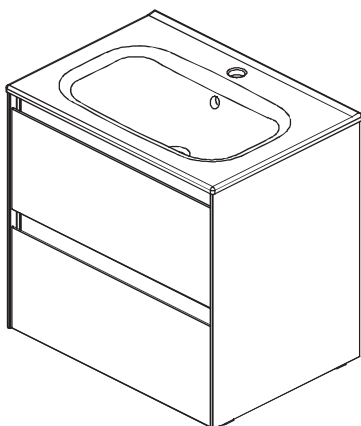
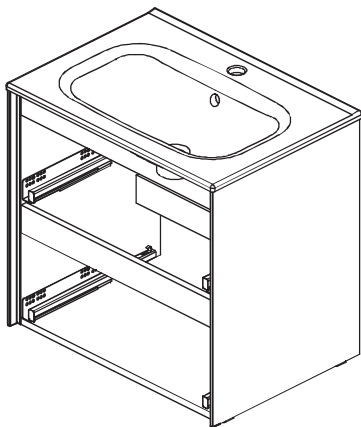


04.4

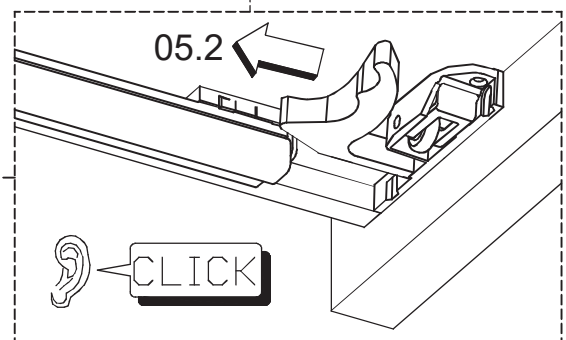


04.5

05.



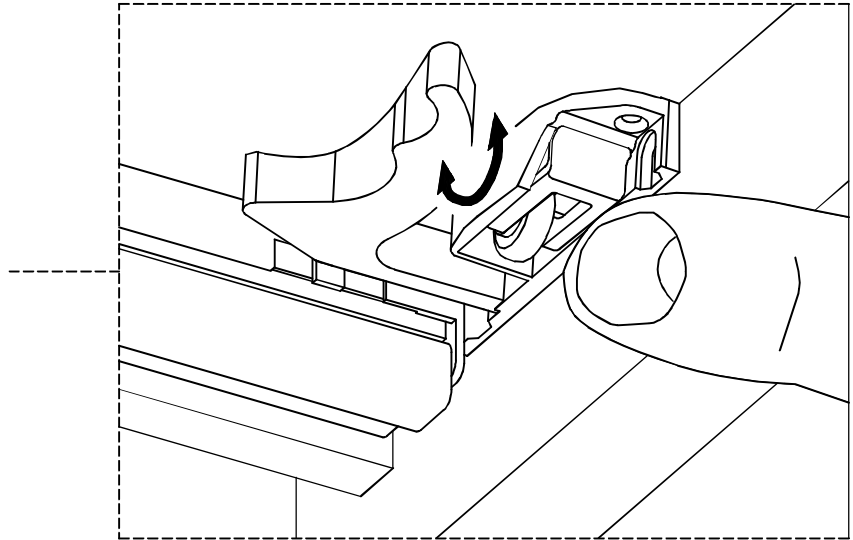
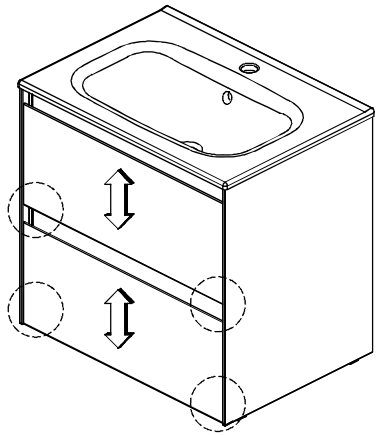
05.1

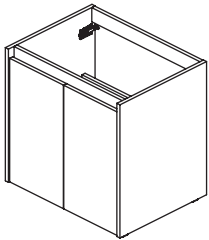
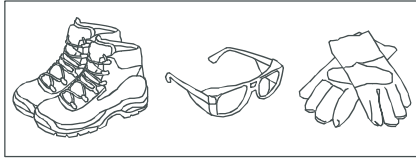


05.2

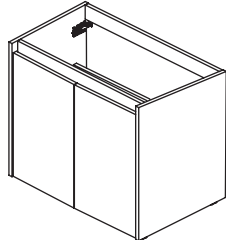
CLICK

06.

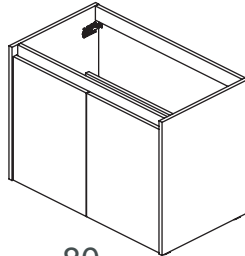




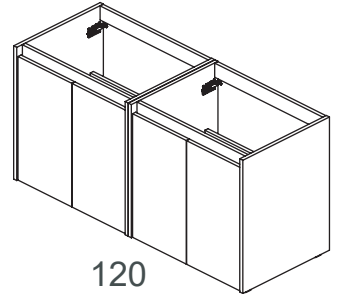
60
23 5/8"



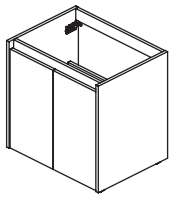
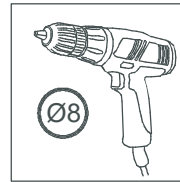
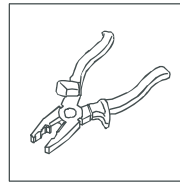
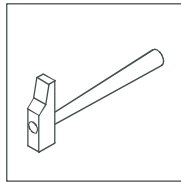
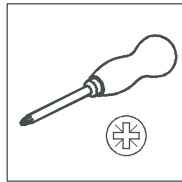
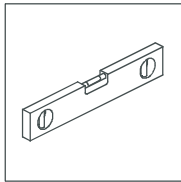
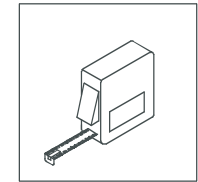
70
27 9/16"



80
31 1/2"



120
47 1/4"



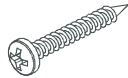
60/70/80/
23 5/8" 27 9/16" 31 1/2"



x2

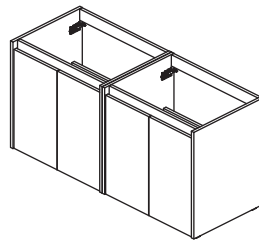


x4

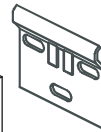


x4

BO-719



120
47 1/4"



x2



x4



x4

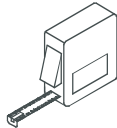


x2

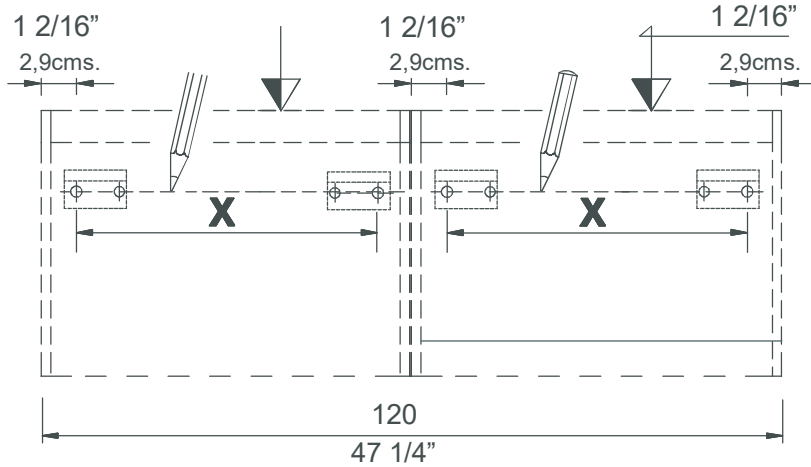
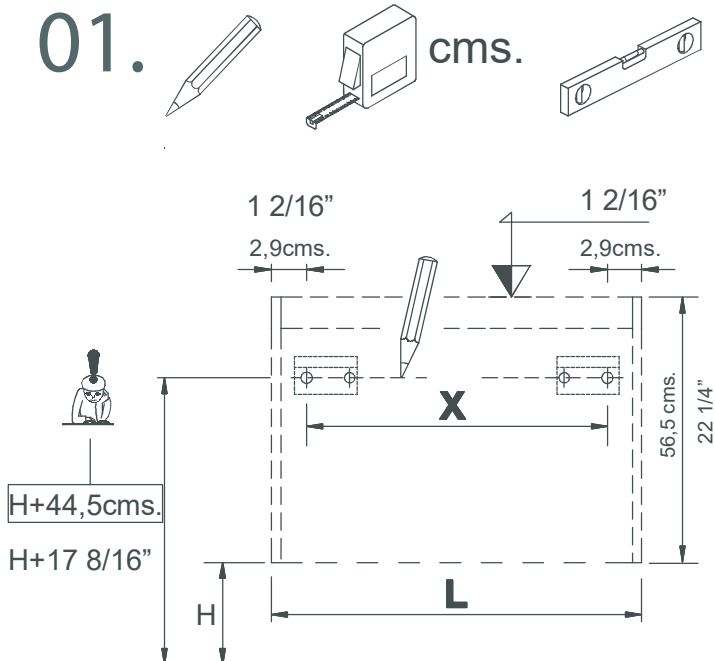
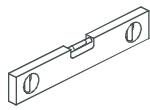
BO-719

BO-266

01.



cms.



L:60cms. → X=53,7cms.
L:70cms. → X=63,7cms.
L:80cms. → X=73,7cms.
L:120cms. → X=53,7cms.

L:23 5/8" → X=21 2/16"
L:27 9/16" → X=25 1/16"
L:31 1/2" → X=29 0/16"
L:47 1/4" → X=21 2/16"

02.



23 5/8" 27 9/16" 31 1/2" 39 3/8"
 MLV-60/70/80/100 ————x2
 MLV-120 ————x4
 47 1/4"



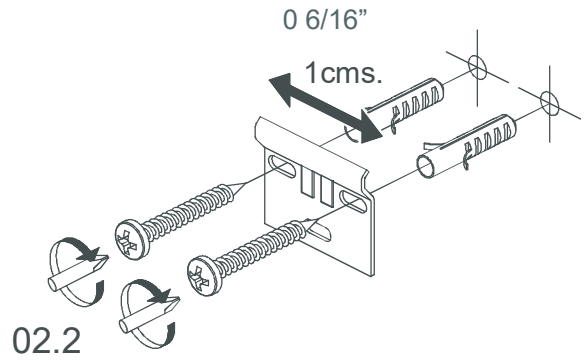
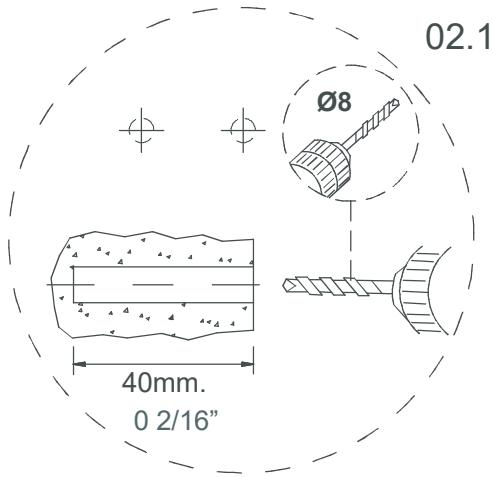
x4

x4

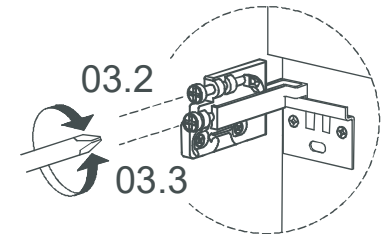
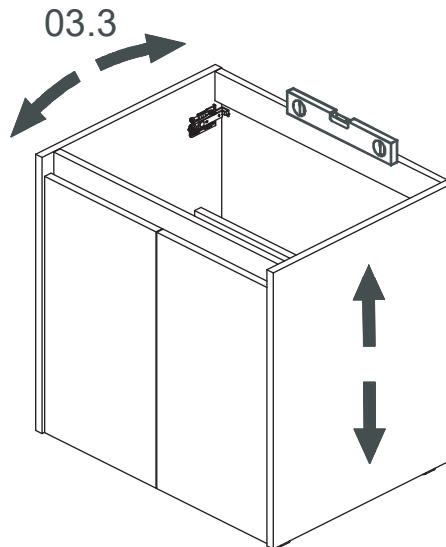
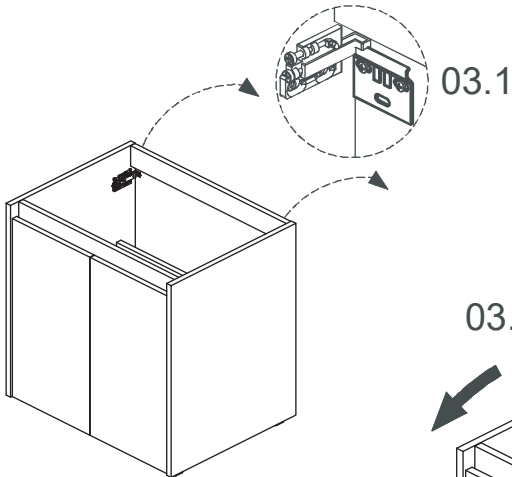
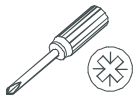
x8

x8

BO-719



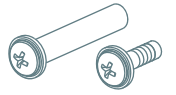
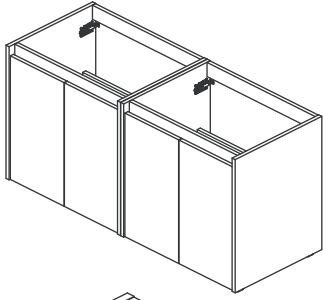
03.



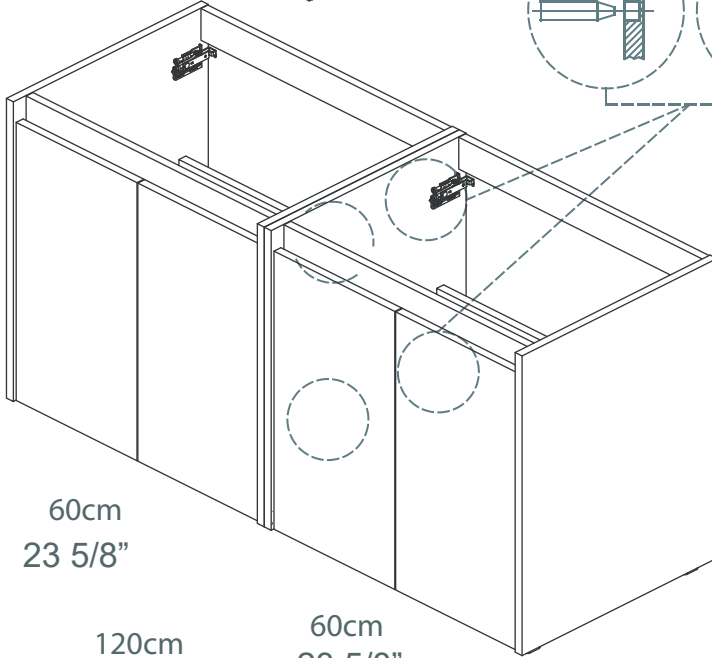
03.2
 ±1cms.

0 6/16"

04.



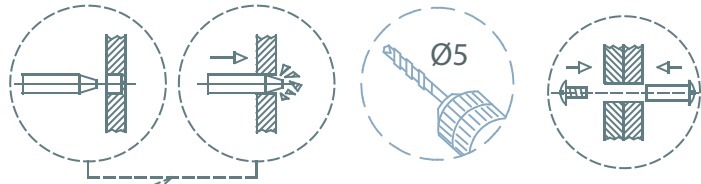
T2x2



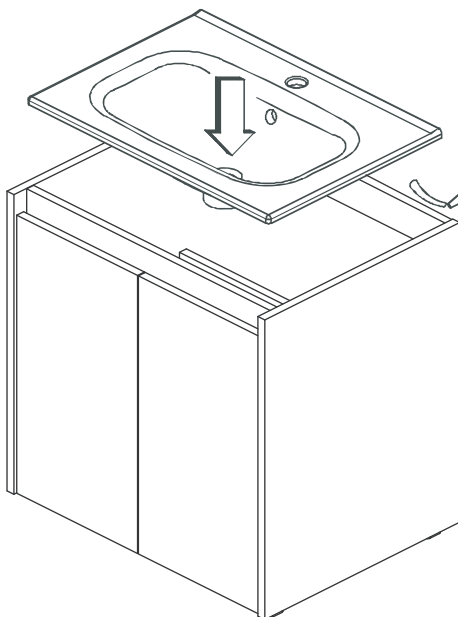
60cm
23 5/8"

120cm
47 1/4"

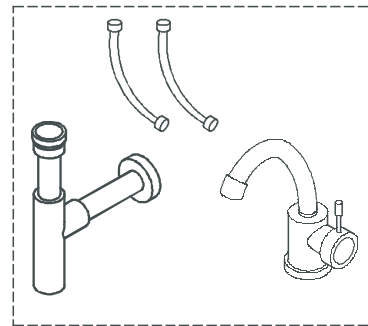
60cm
23 5/8"



05.

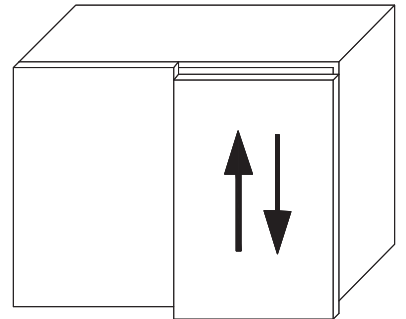
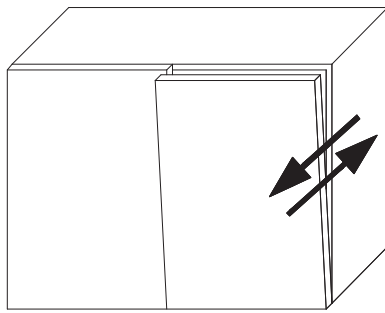
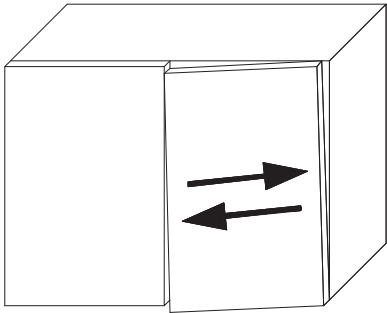
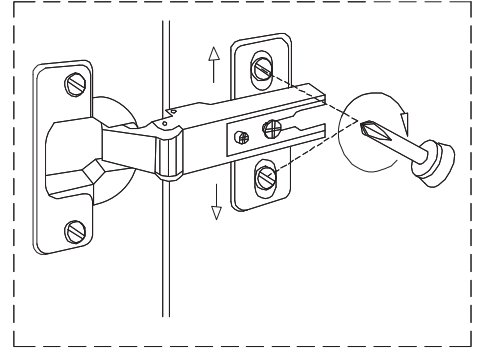
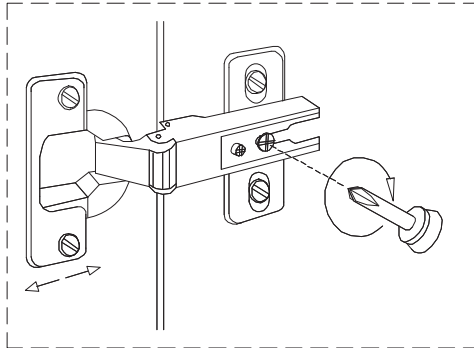
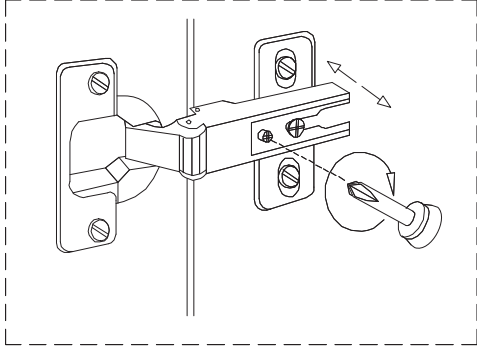


05.1



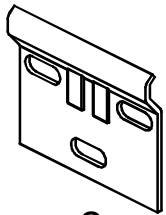
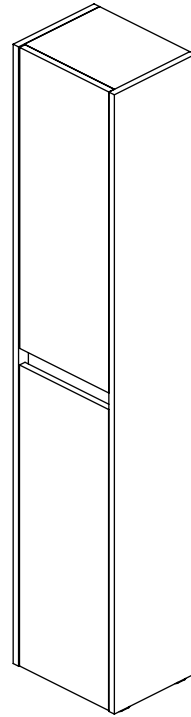
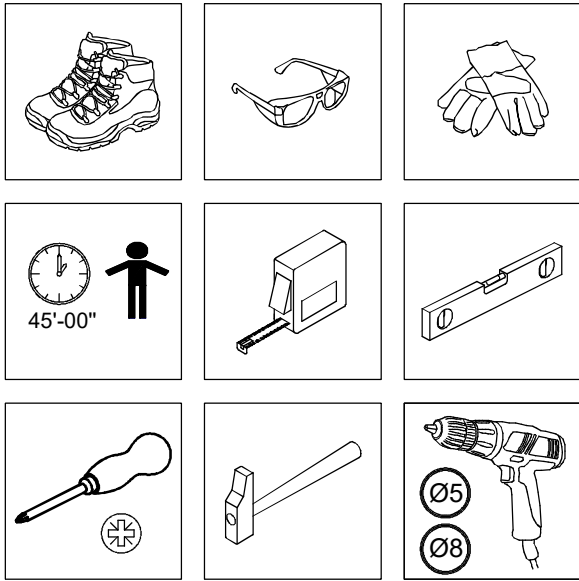
05.2

06.

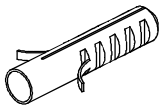


SANSA

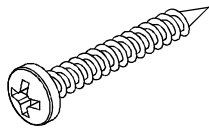
1164907
2016-052



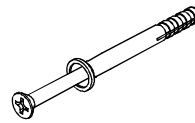
x2



x4



x4



x1



x1



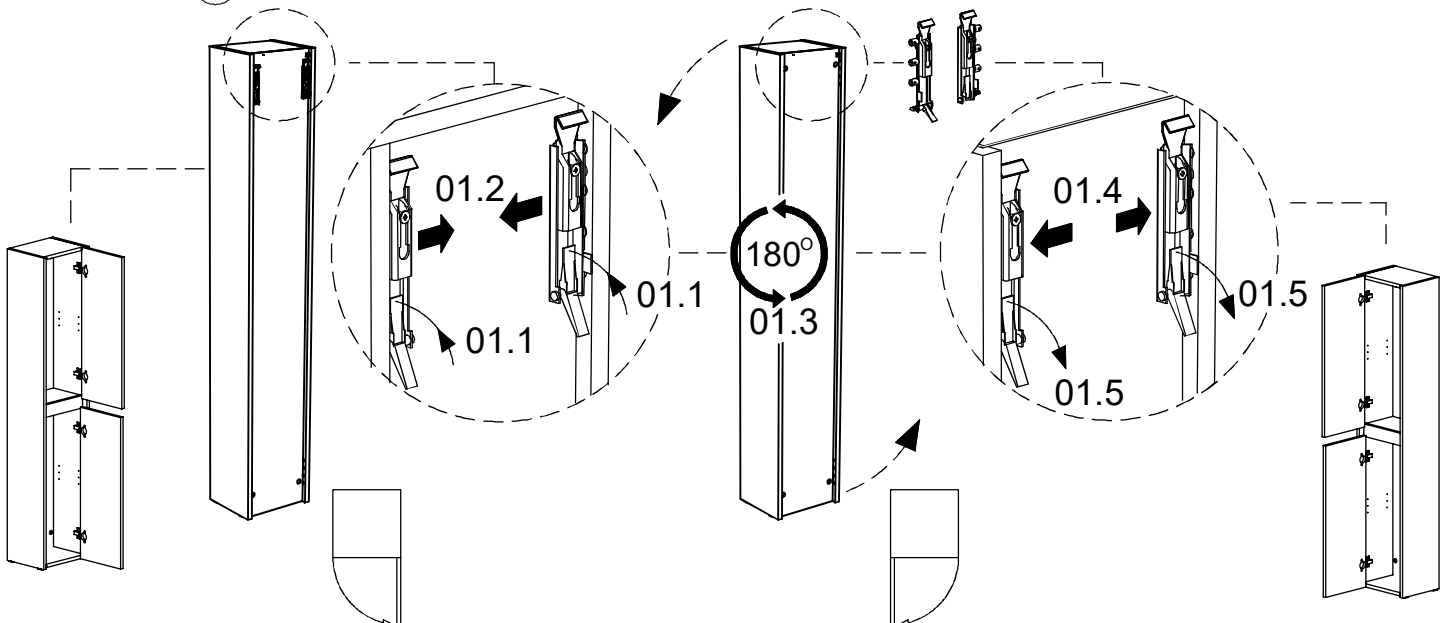
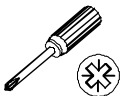
x8



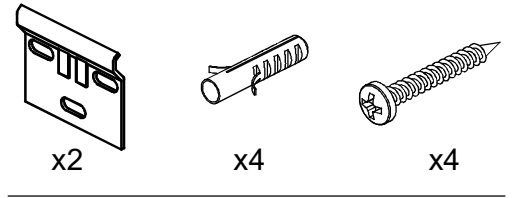
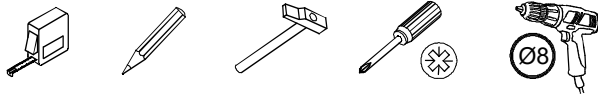
BO-719

BO-630

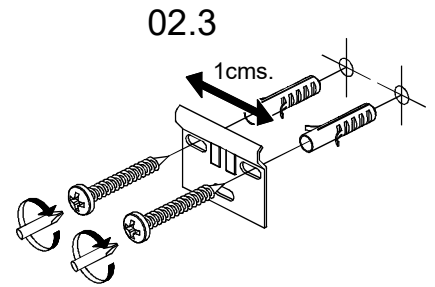
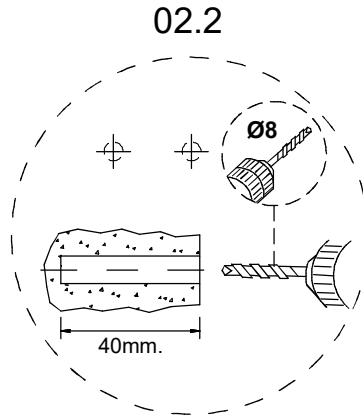
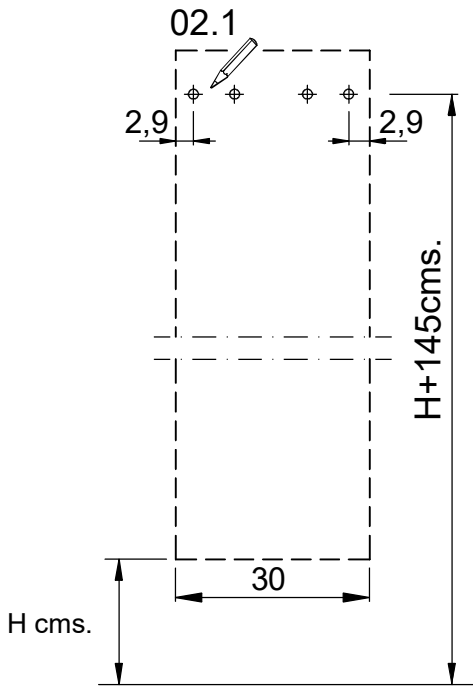
01.



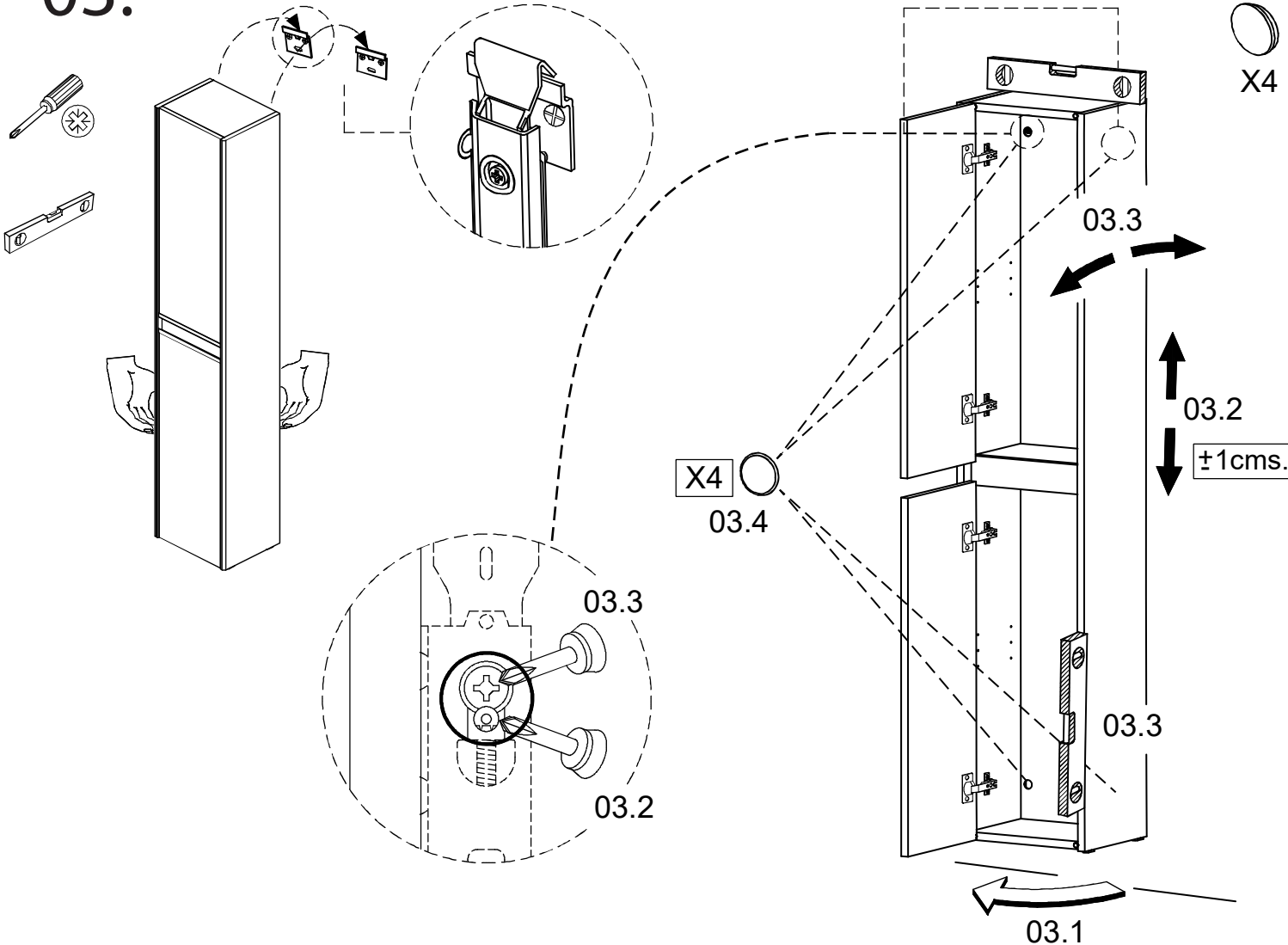
02.



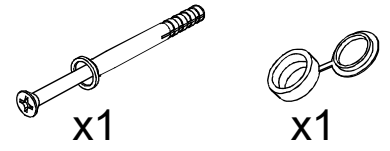
BO-719



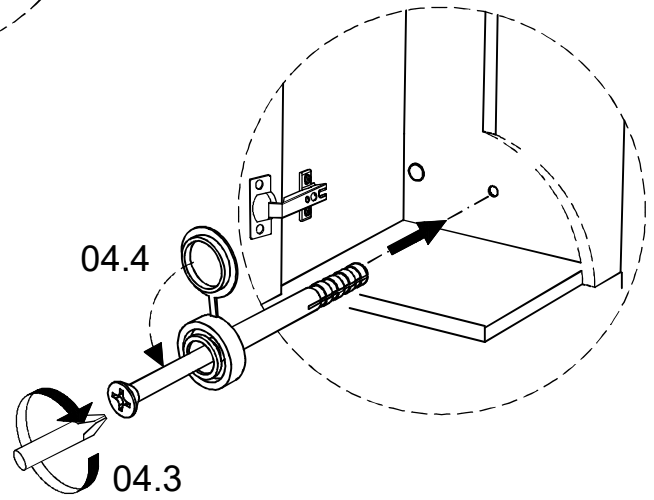
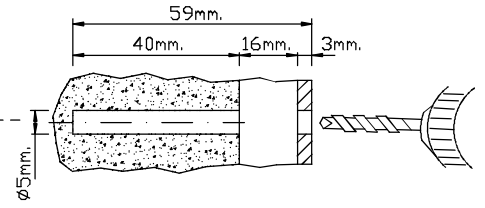
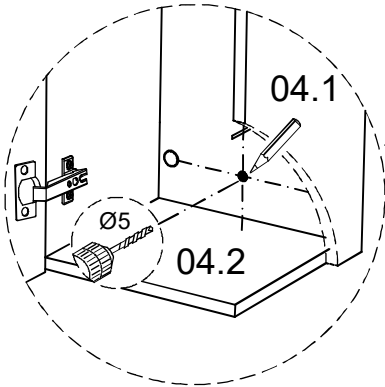
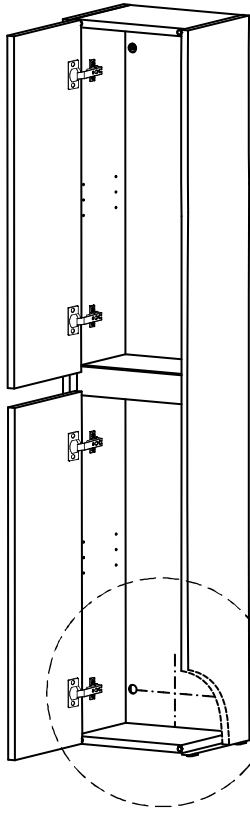
03.



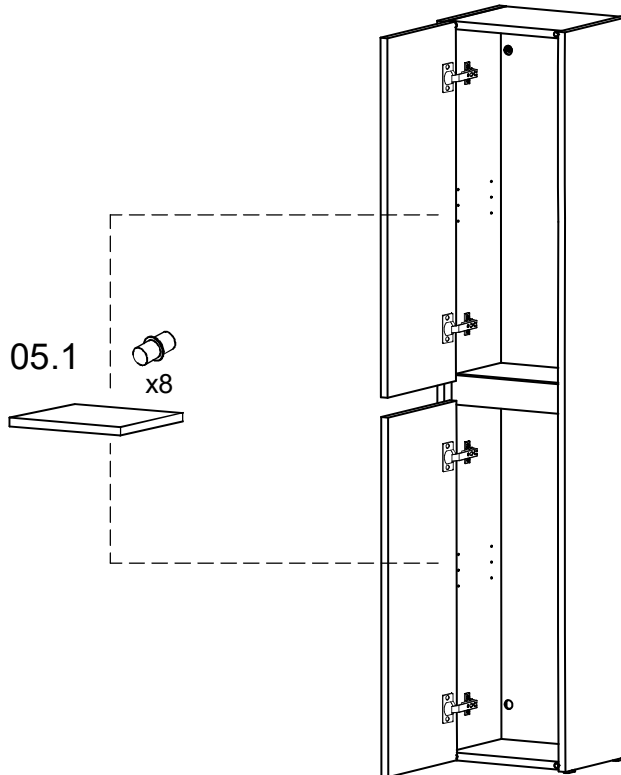
04.



BO-630



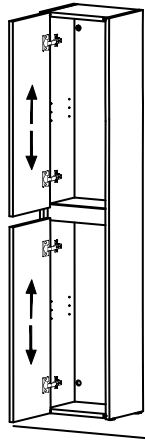
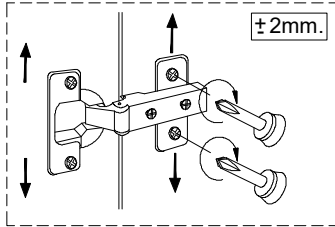
05.



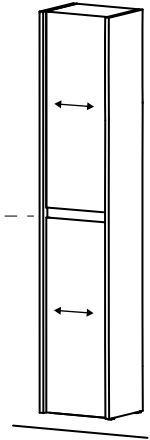
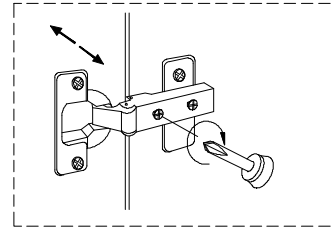
06.



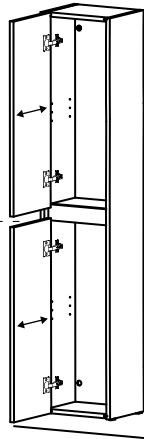
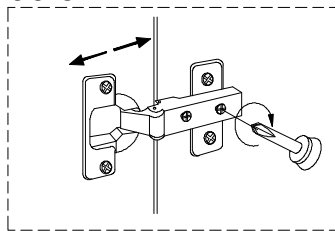
06.1



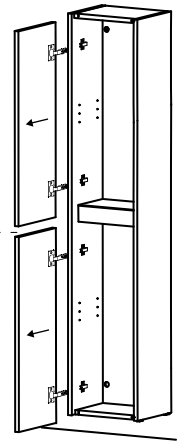
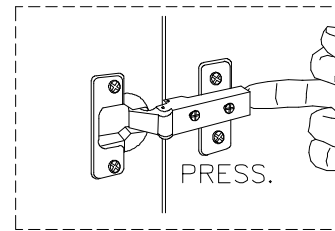
06.2



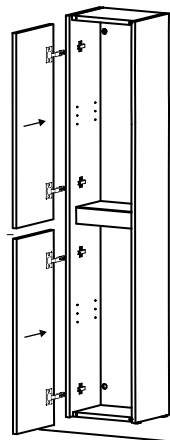
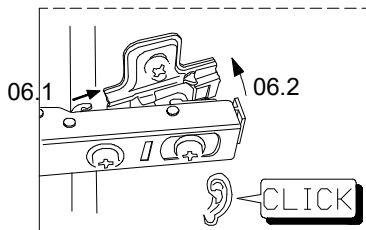
06.3

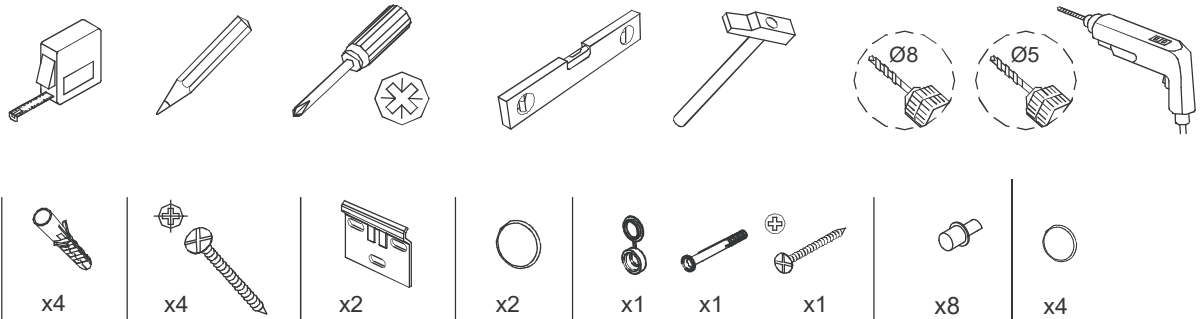
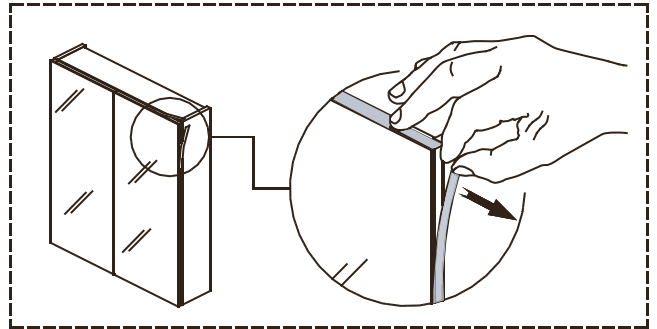
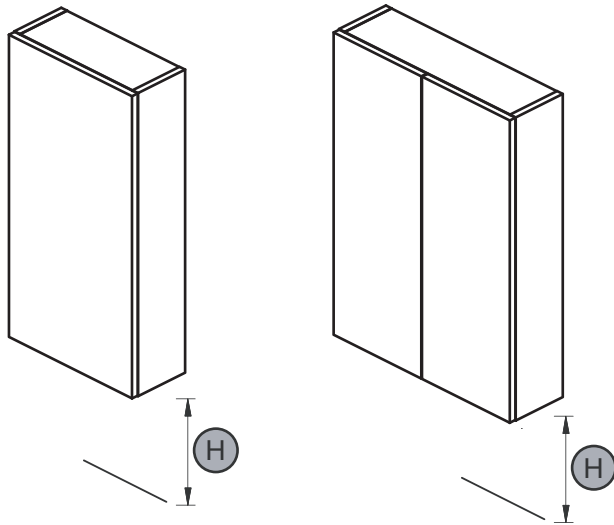


06.4

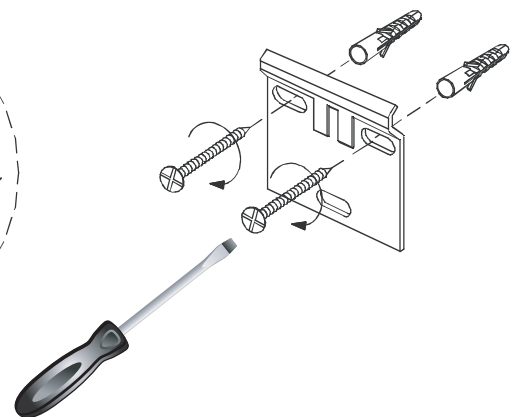
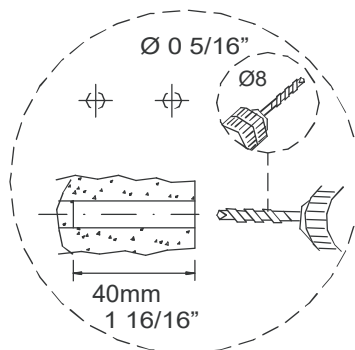
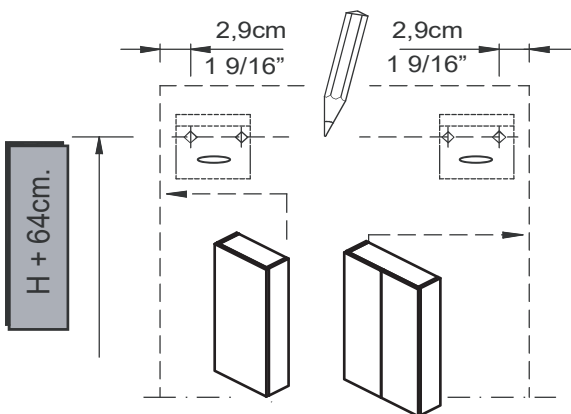
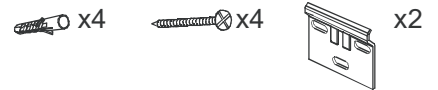


06.5

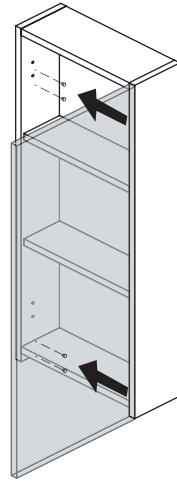
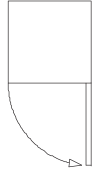
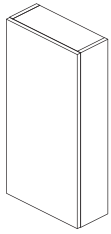




01.

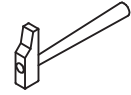


02.

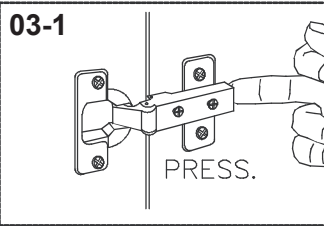
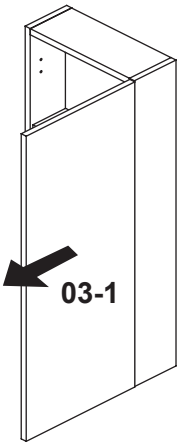
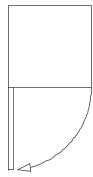
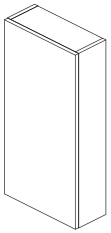


02-1

02-1



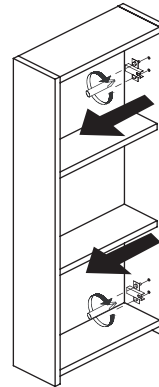
03.



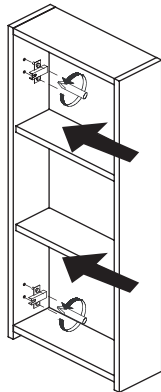
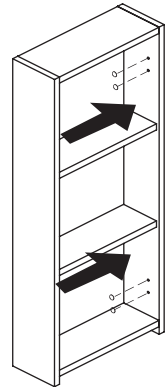
03-1

PRESS.

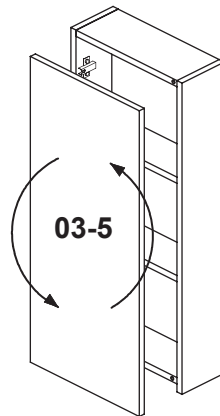
03-2



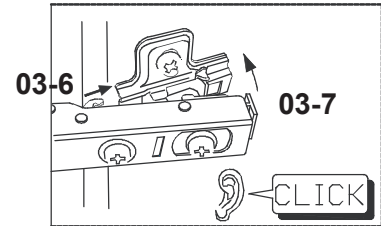
03-3



03-4



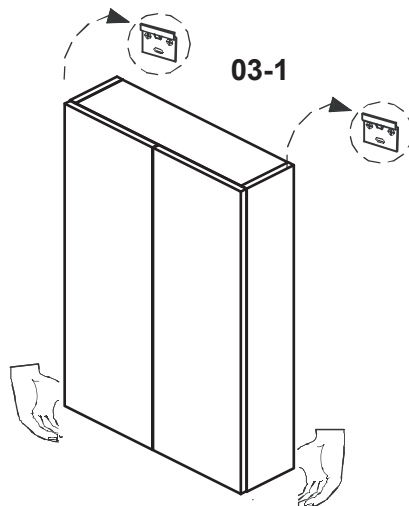
03-5



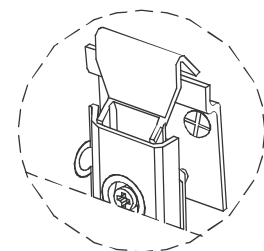
03-6

03-7

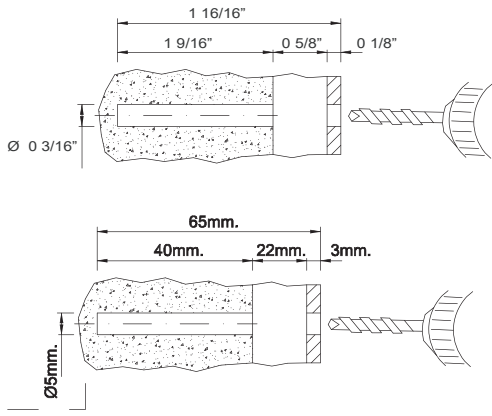
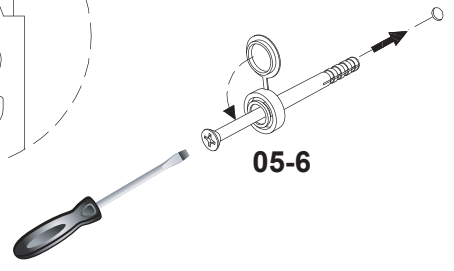
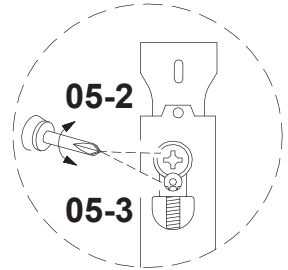
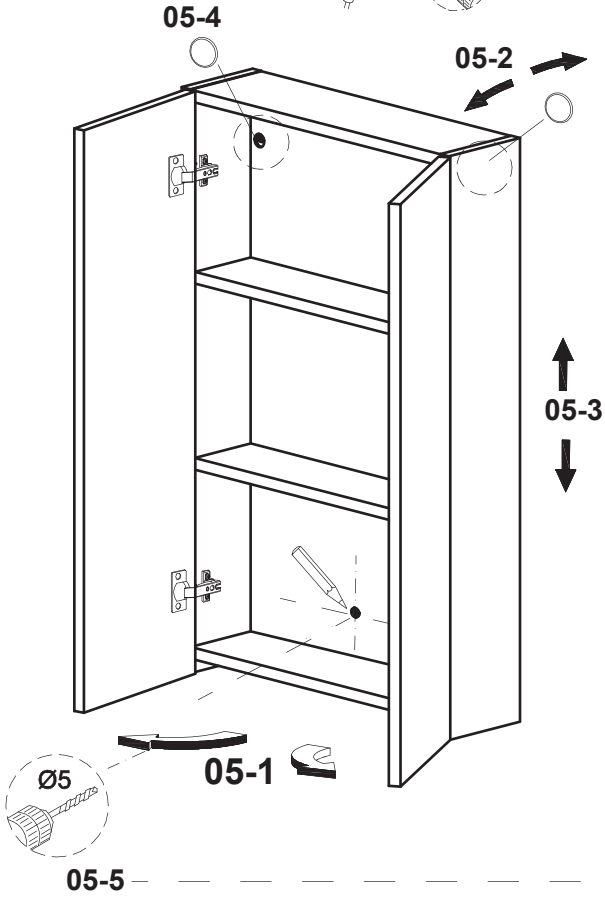
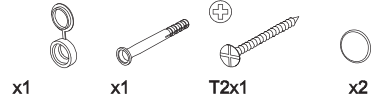
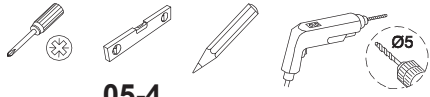
04.



03-1



05.



06.

