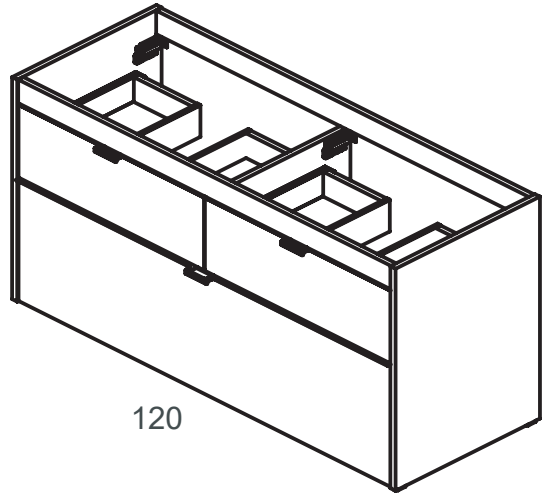
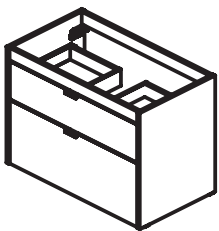
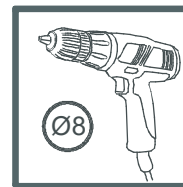
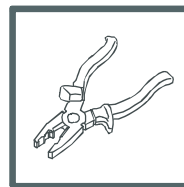
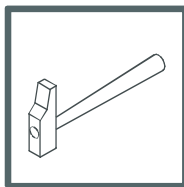
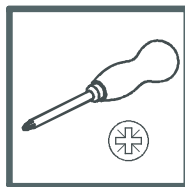
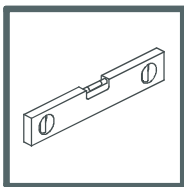
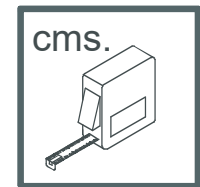


60-70-80-100-120



120



60-70-80-100-120



x2

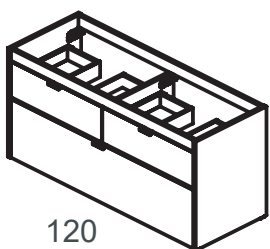
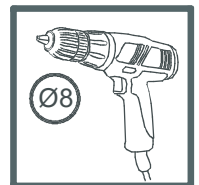


x4



x4

BO-719



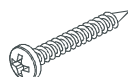
120



x4

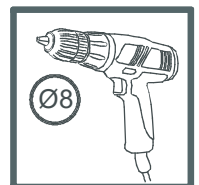


x8

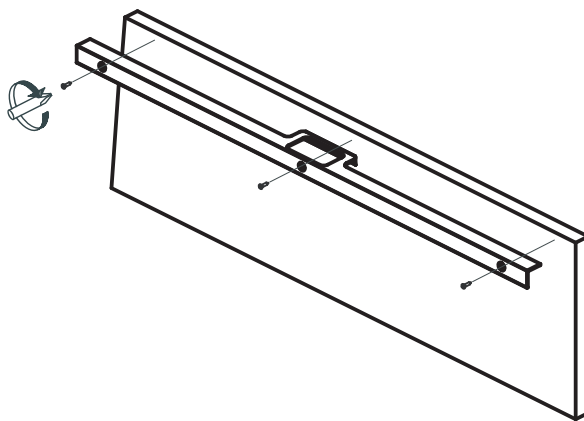
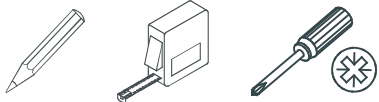


x8

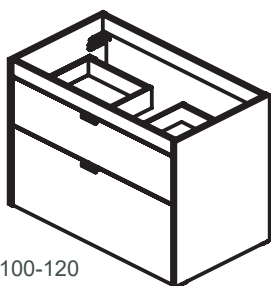
BO-719



01.

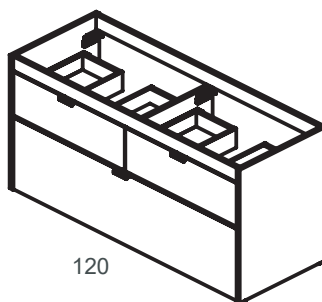
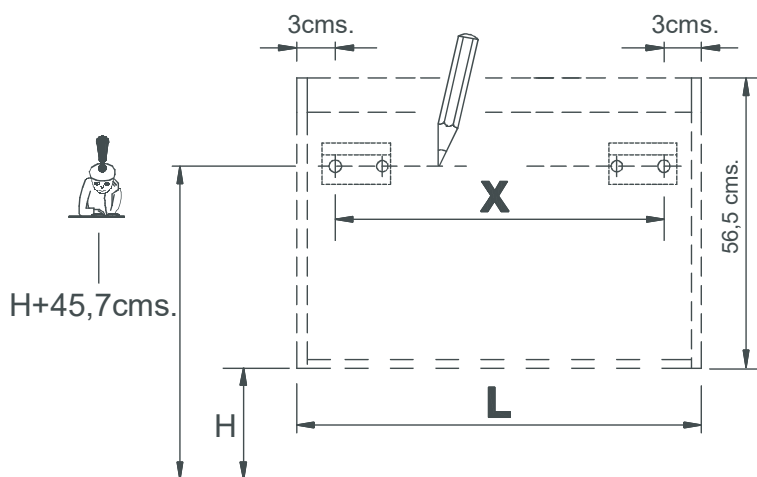


02.

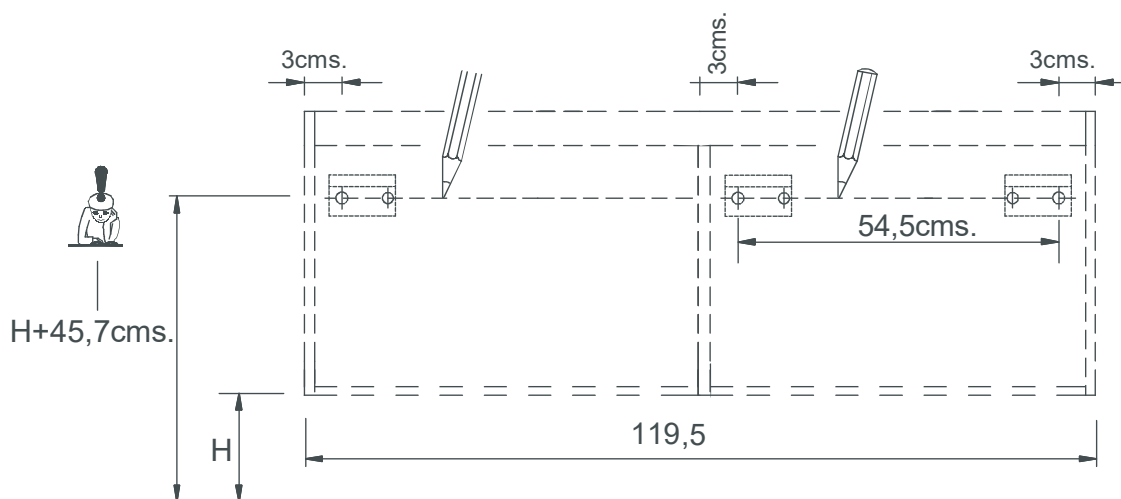


60-70-80-100-120

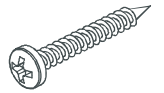
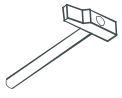
L:59,5cms.	→ X=53,5cms.
L:69,5cms.	→ X=63,5cms.
L:79,5cms.	→ X=73,5cms.
L:99,5cms.	→ X=93,5cms.
L:119,5cms.	→ X=113,5cms.



120



# 03.



MLV-60/70/80/100/120 ——— x2

x4

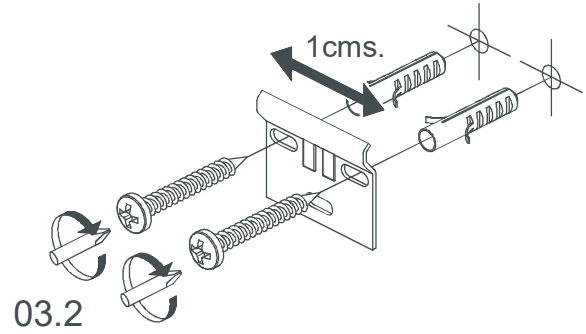
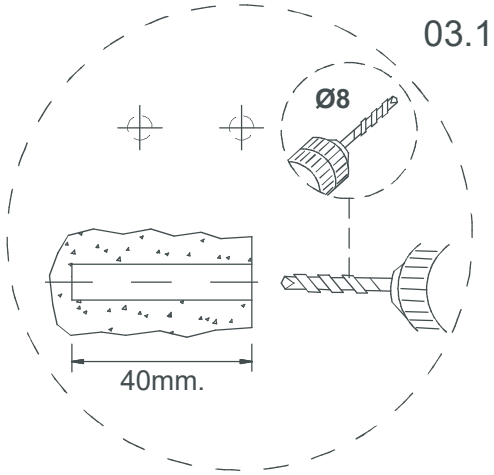
x4

MLV-120 ——— x4

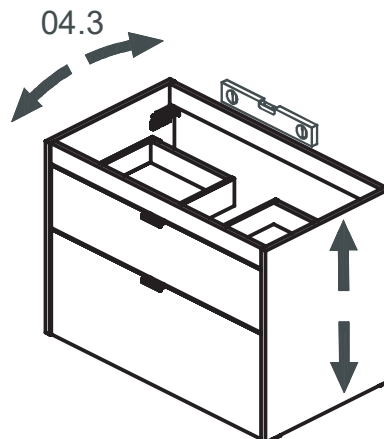
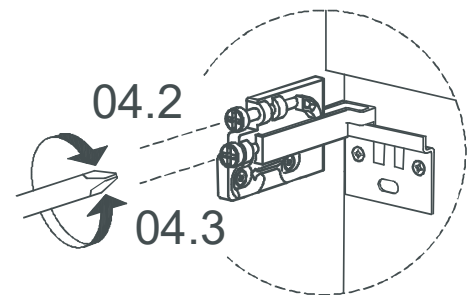
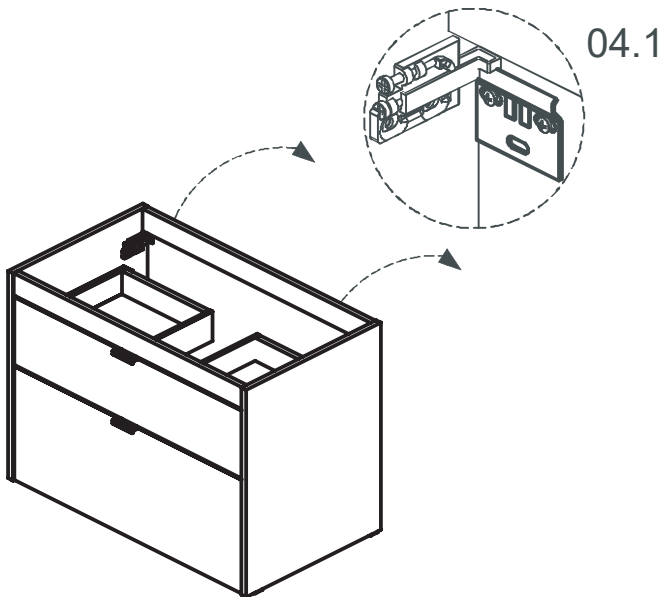
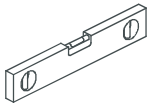
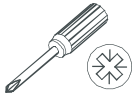
x8

x8

BO-719

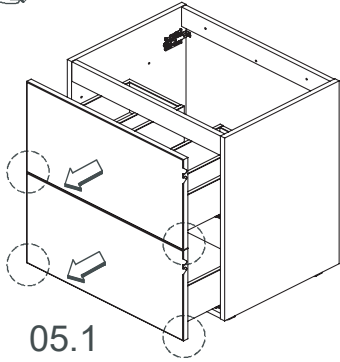


# 04.

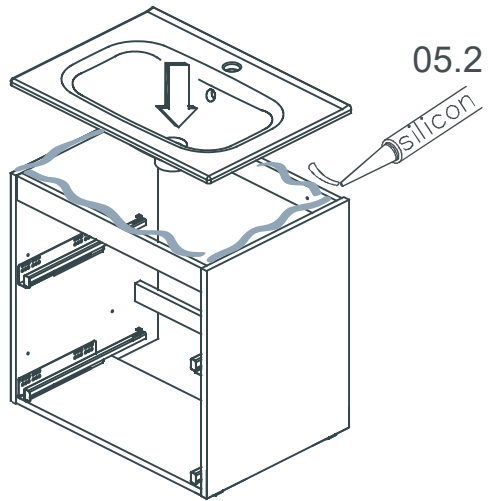
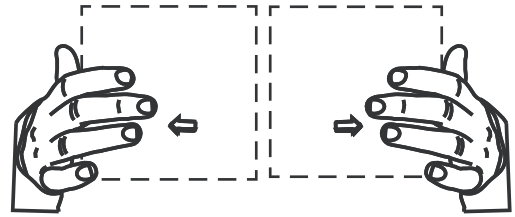
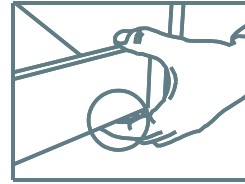


04.2  
±1cms.

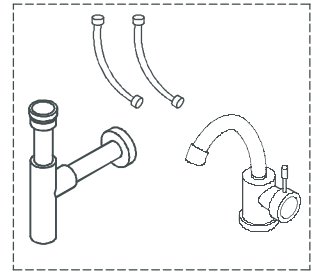
05.



05.1

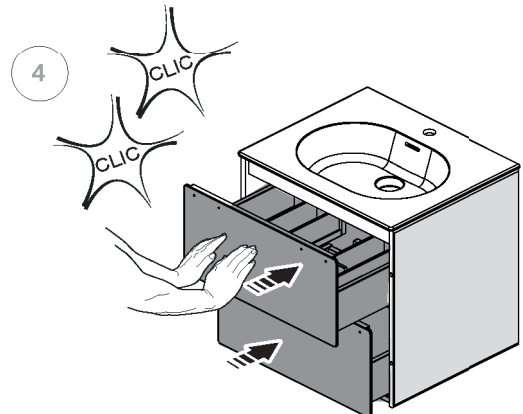
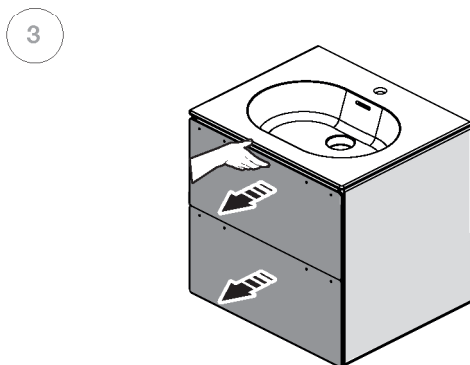
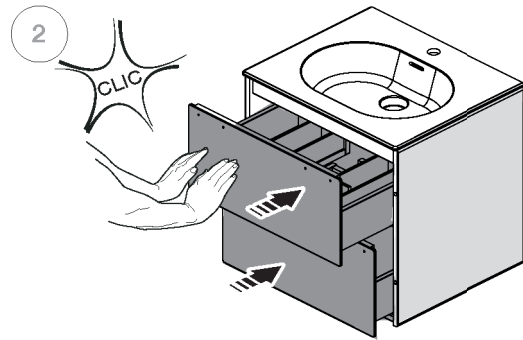
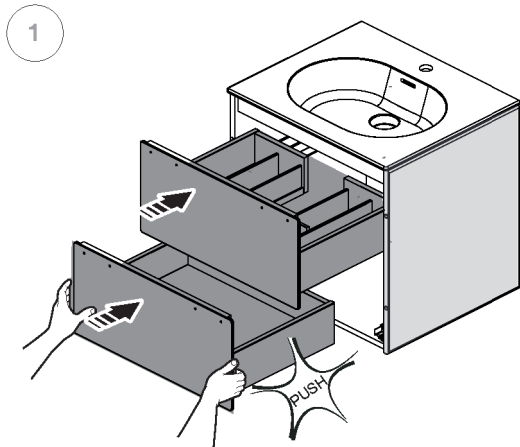


05.2

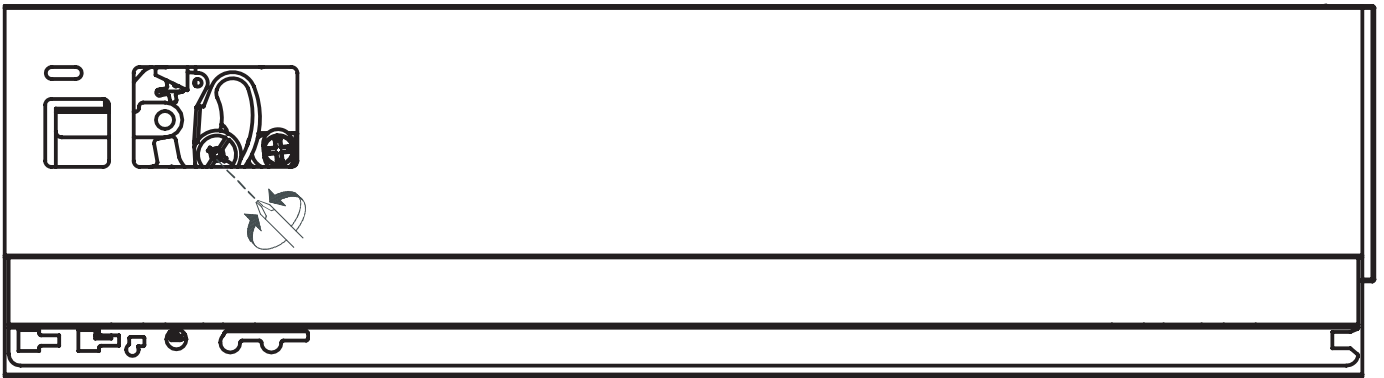
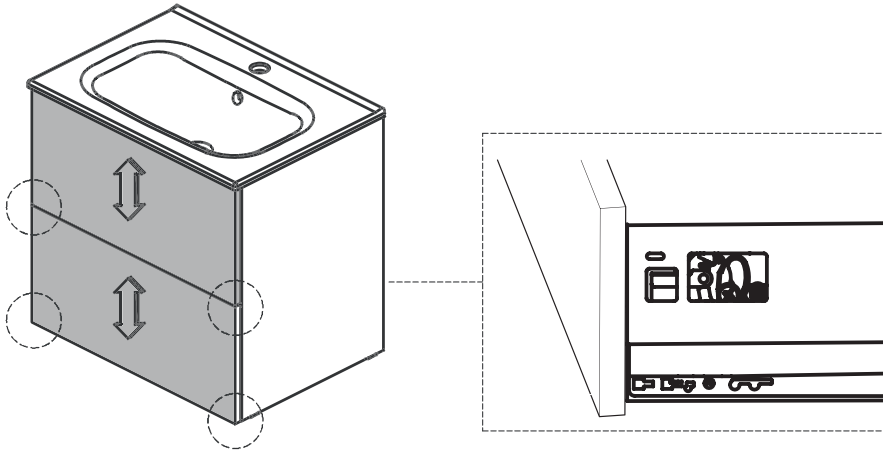


05.3

06.



07.



08.

