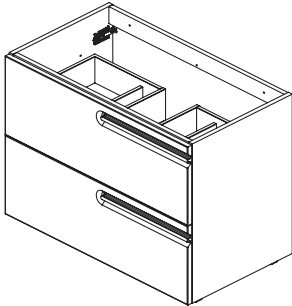
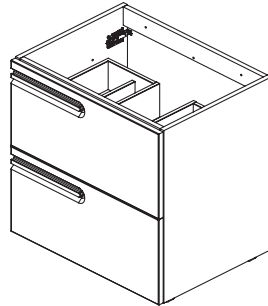


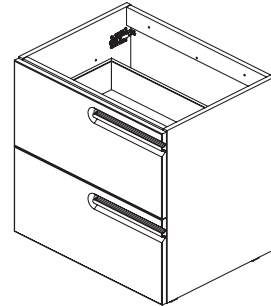
60-80-100



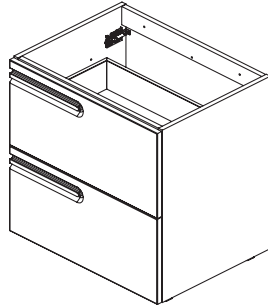
60



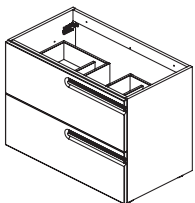
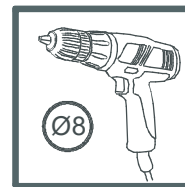
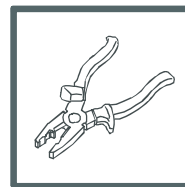
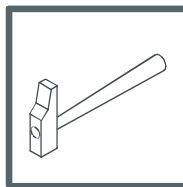
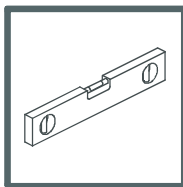
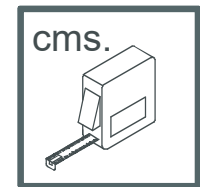
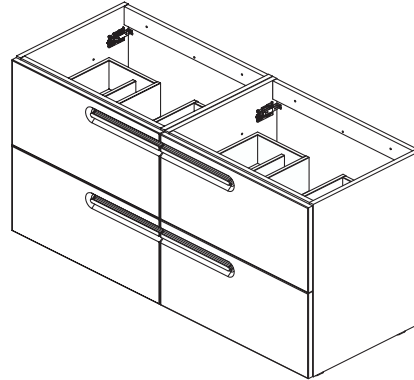
60



60



60+60



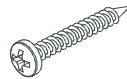
60-80-100



x2

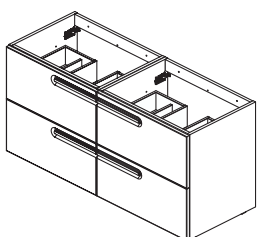
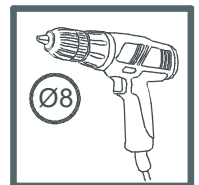


x4



x4

BO-719



60+60



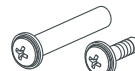
x4



x8



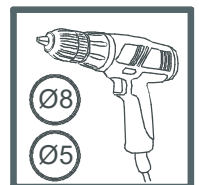
x8



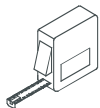
x4

BO-719

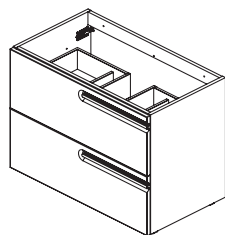
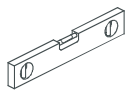
BO-266



01.

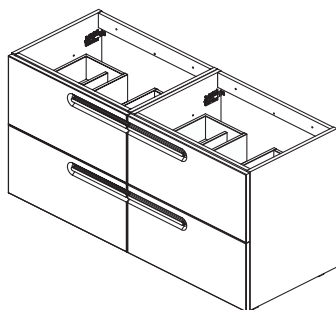
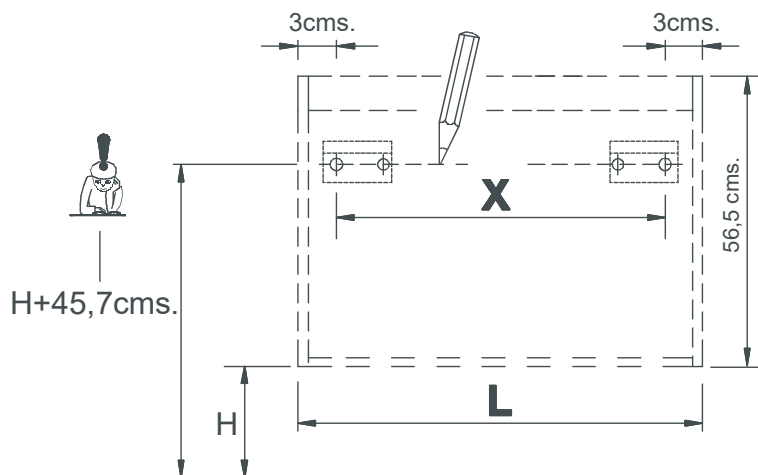


cms.

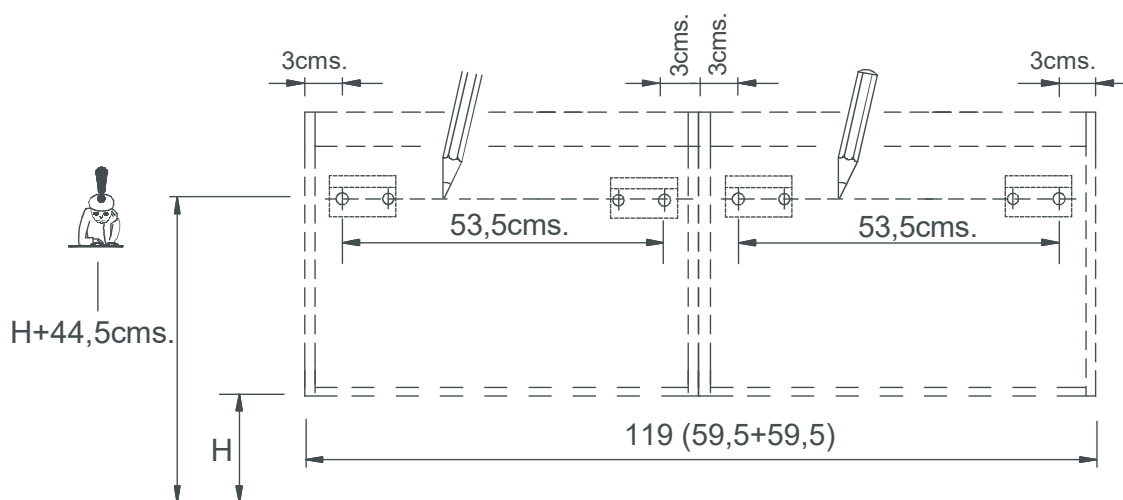


60-80-100

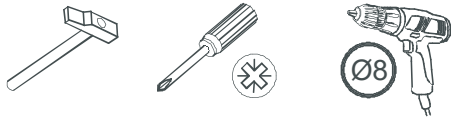
L:59,5cms. → X=53,5cms.
L:79,5cms. → X=73,5cms.
L:99,5cms. → X=93,5cms.



60+60

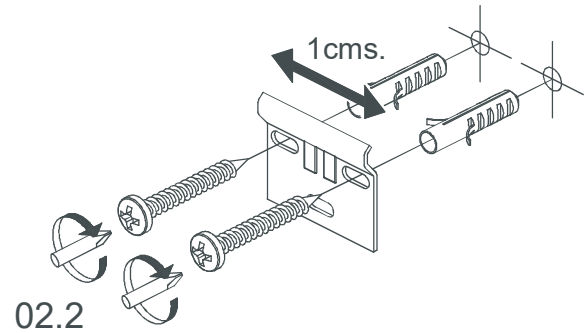
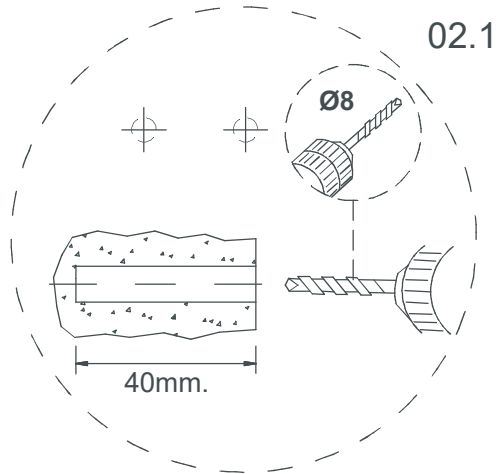


02.

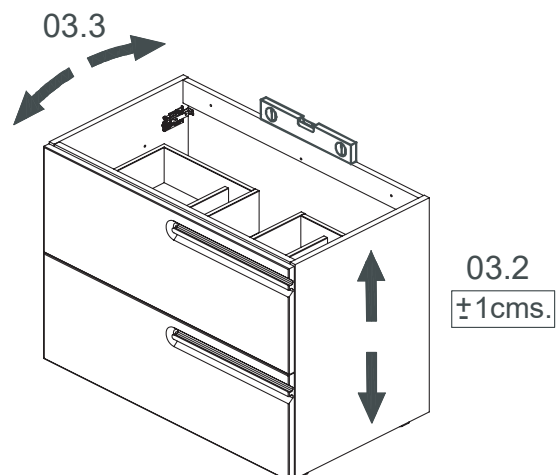
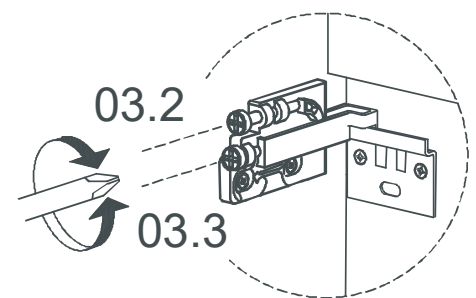
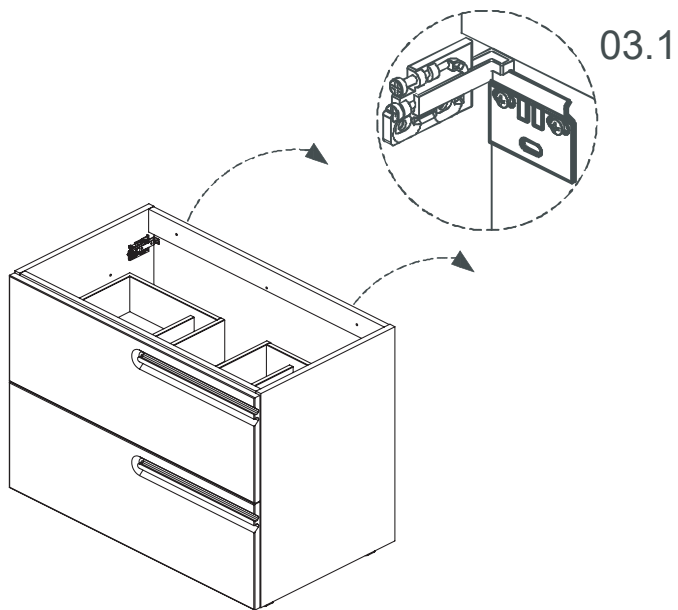
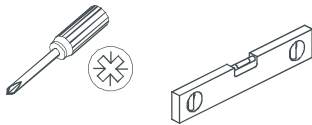


MLV-60/80/100	x2	x4	x4
MLV-60+60	x4	x8	x8

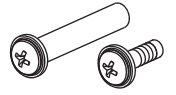
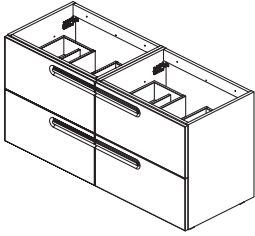
BO-719



03.

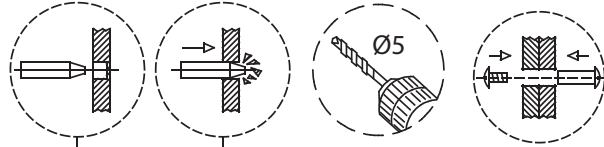
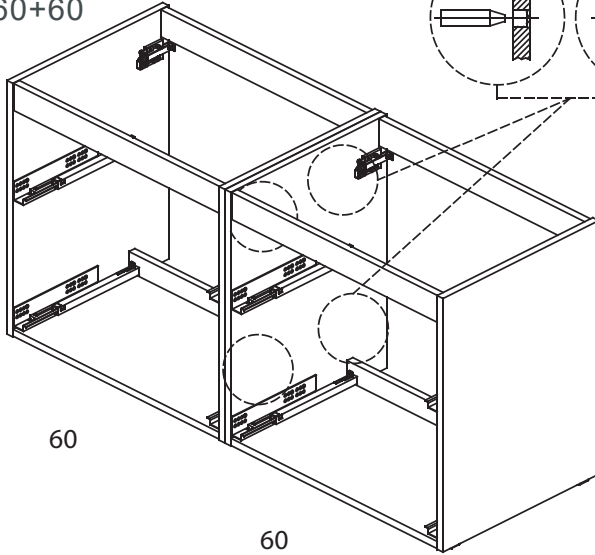


04.

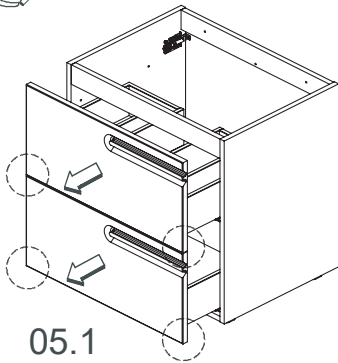


x4

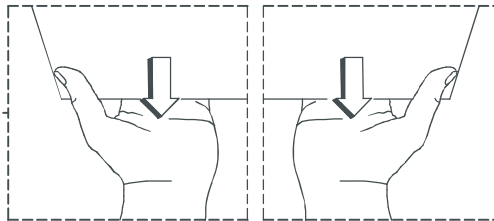
60+60



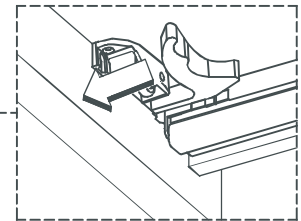
05.



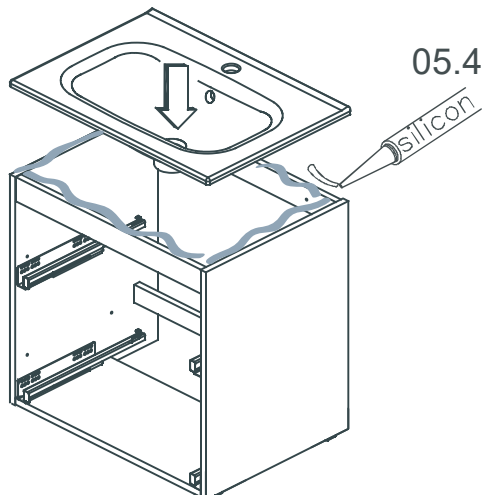
05.1



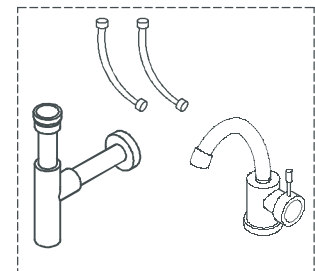
05.2



05.3

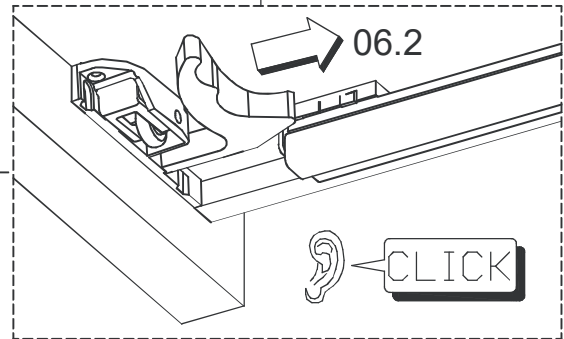
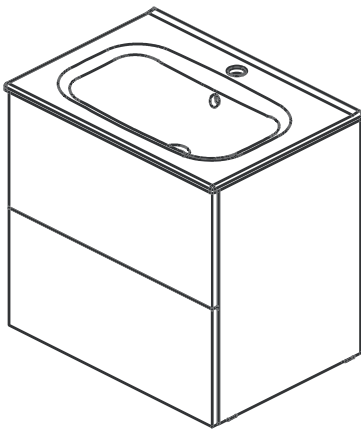
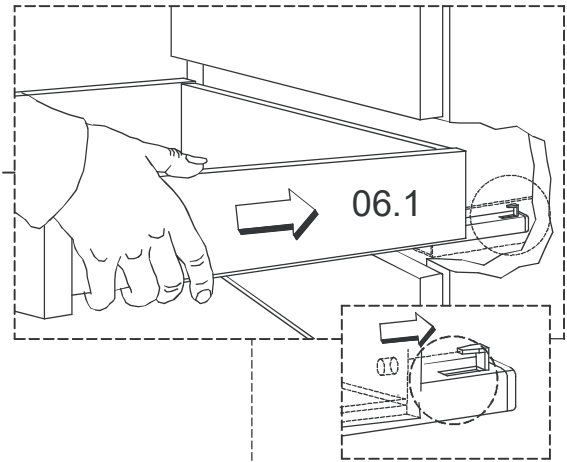
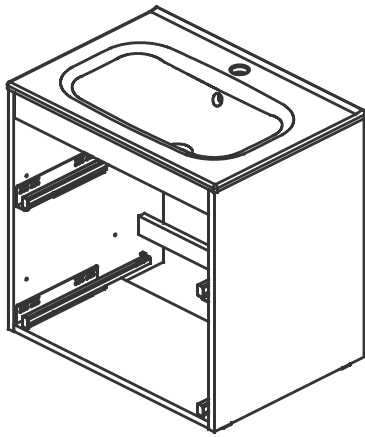


05.4

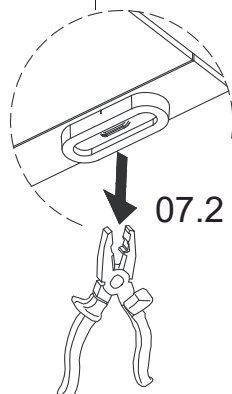
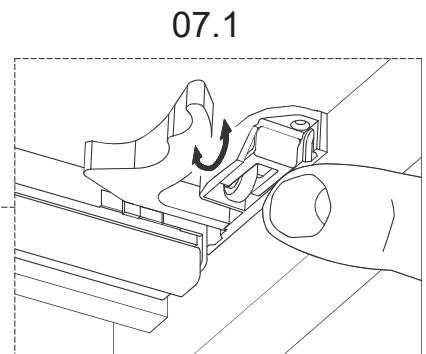
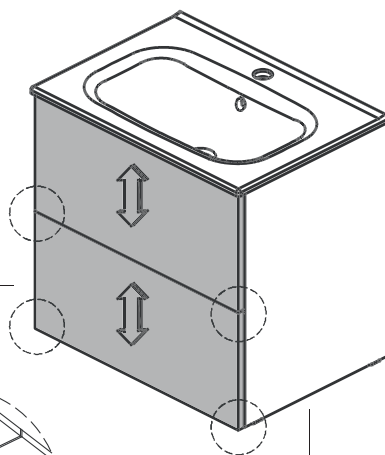
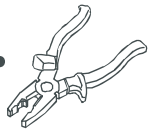


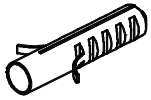
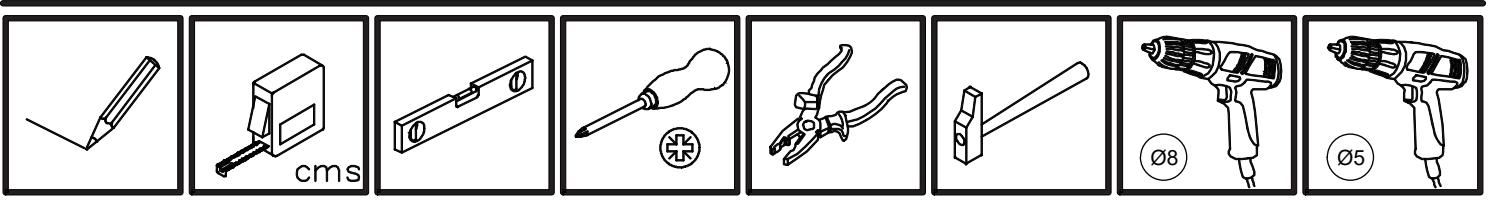
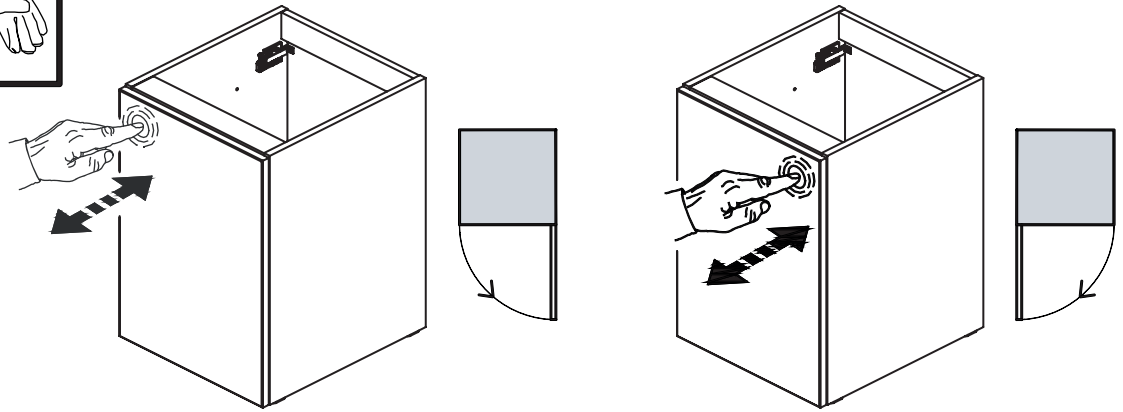
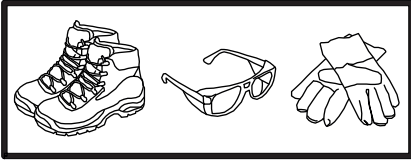
05.5

06.

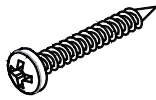


07.





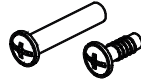
BO-719 / A X4



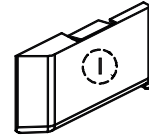
BO-719 / B X4



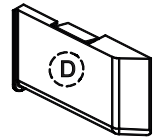
BO-719 / C X2



128059 X2



138163 X1



138161 X1

01.

01-1

01-2

01-3

01-4

BO-719 / C X2

BO-719 / B

BO-719 / A X4

40 mm

2,9

2,9

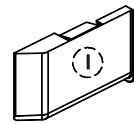
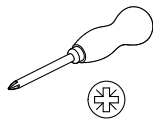
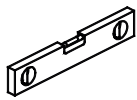
40

x cms.

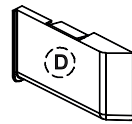
x - 11 cms.

1cm

02.

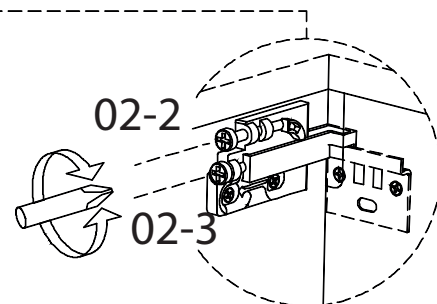
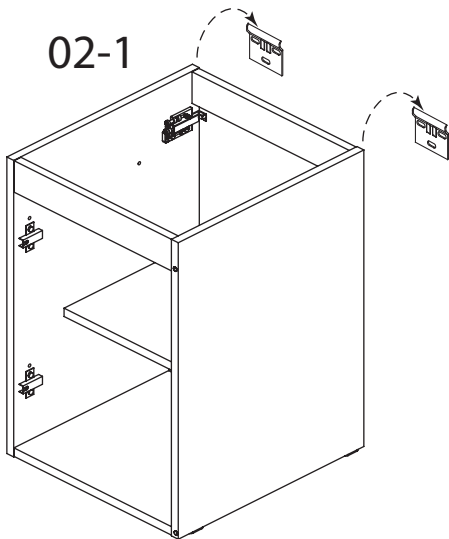


138163 X1



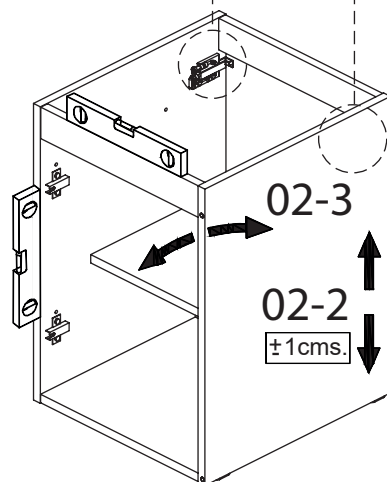
138161 X1

02-1



02-2

02-3



02-3

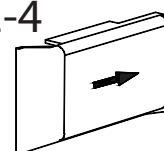
02-2

± 1cms.

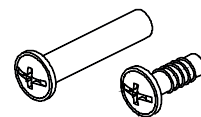
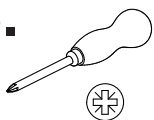
02-4

138161 X1

138163 X1

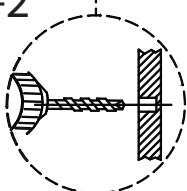


03.

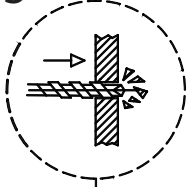


128059 X2

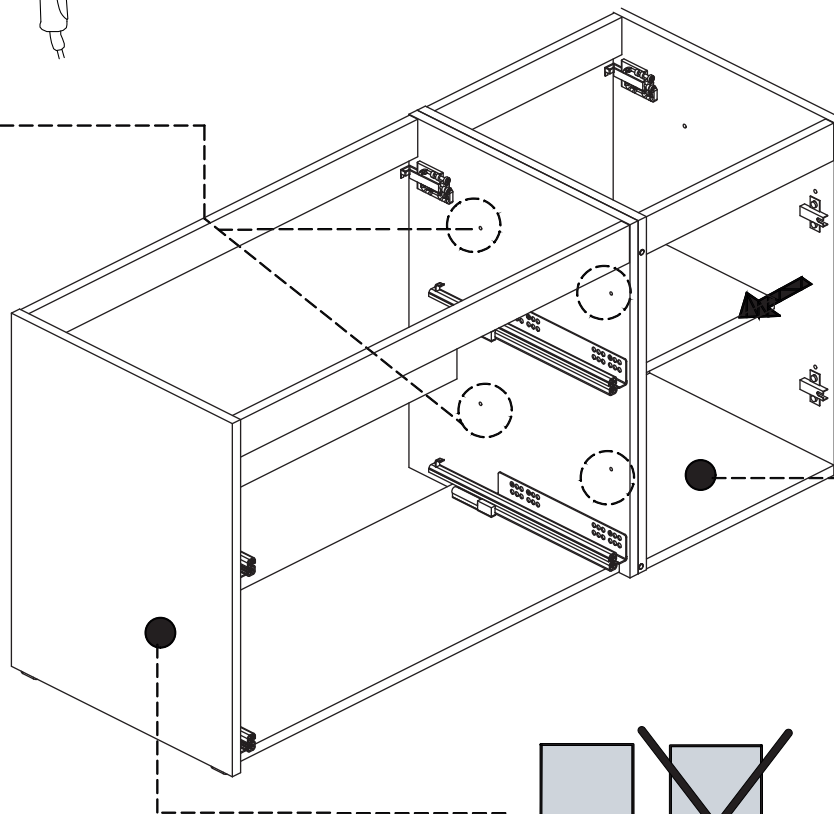
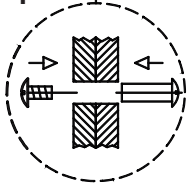
x4
03-2



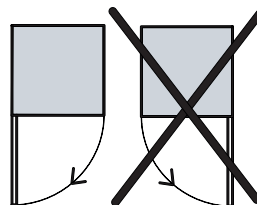
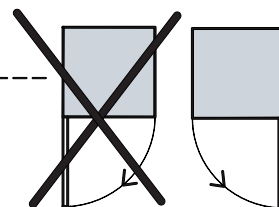
03-3



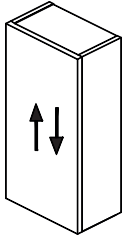
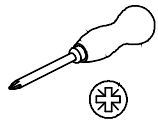
03-4



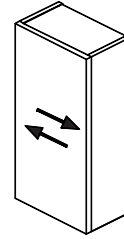
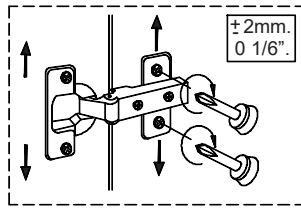
03-1



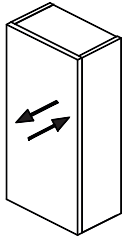
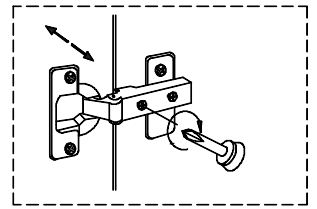
04.



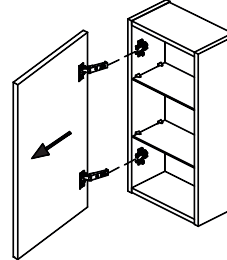
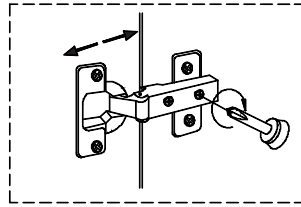
04-1



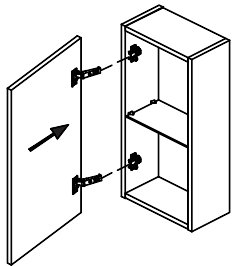
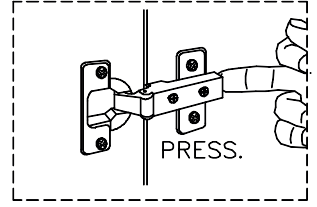
04-2



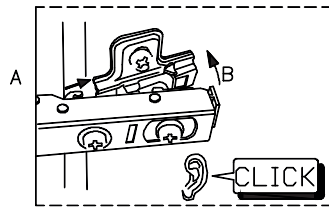
04-3

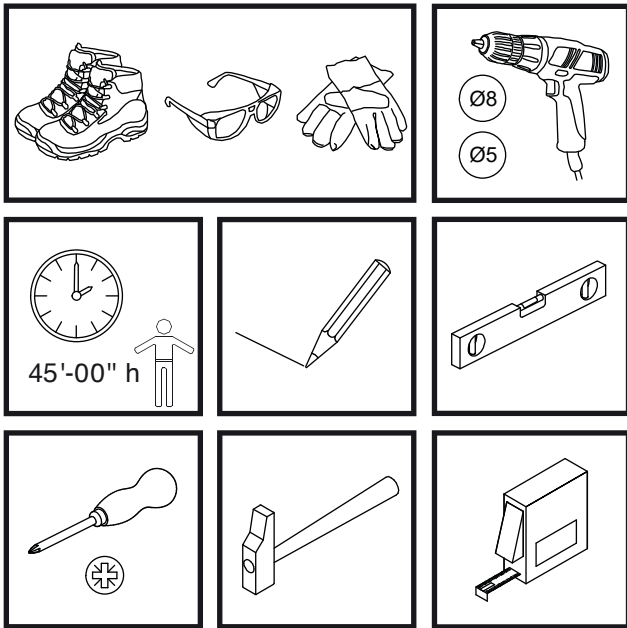


04-4

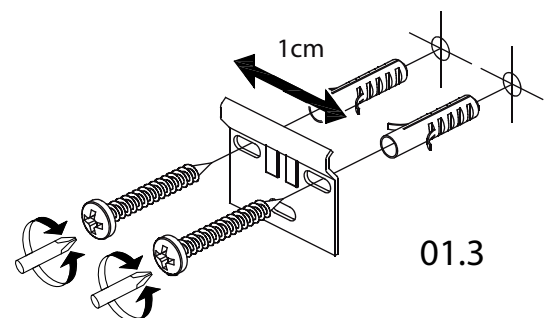
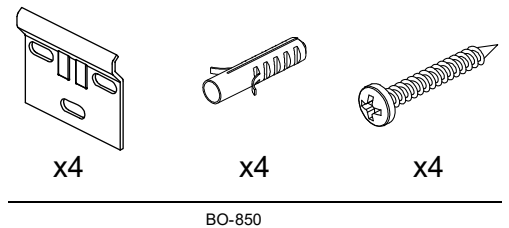
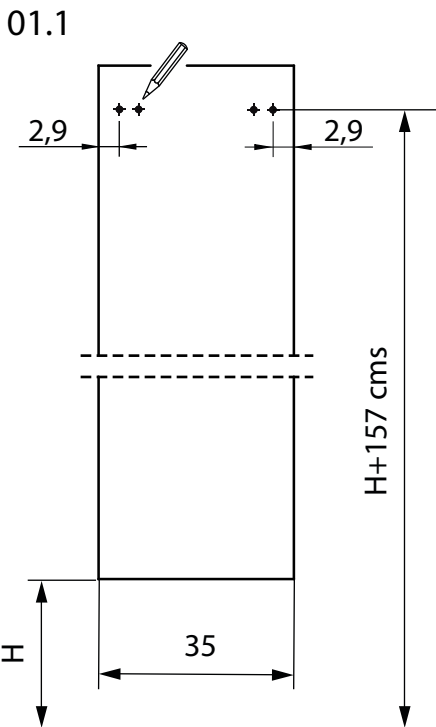
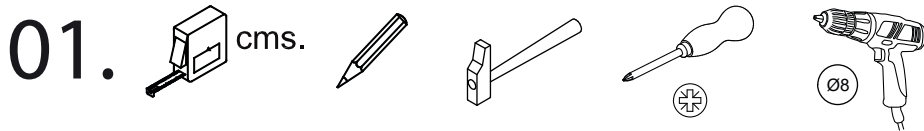
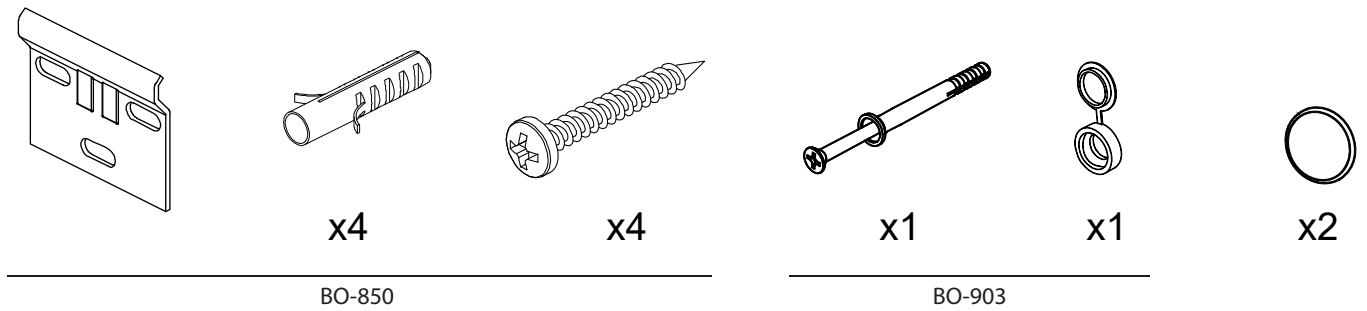
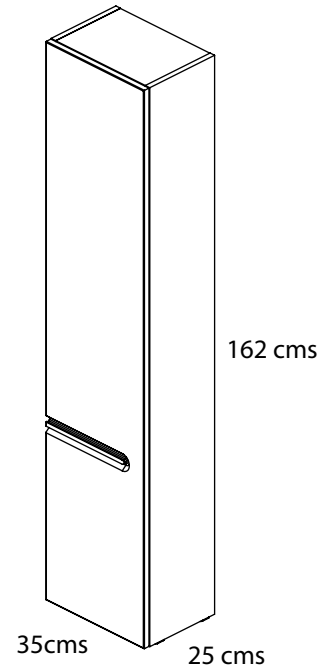


04-5

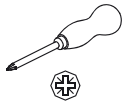




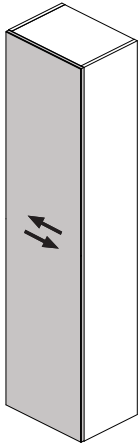
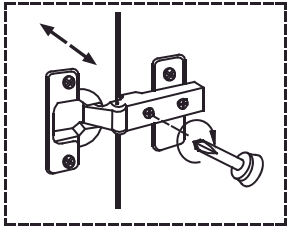
NON INCLUS / NOT INCLUDED



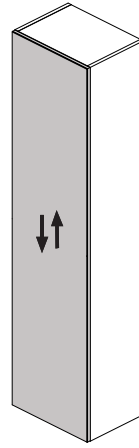
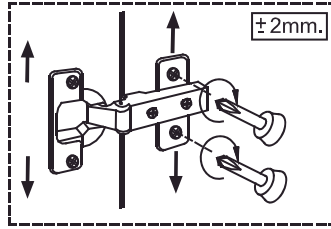
04.



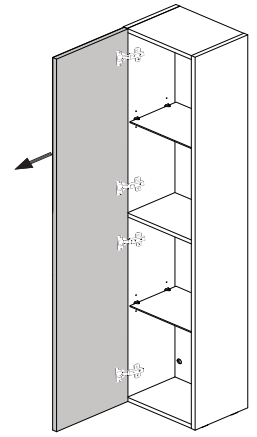
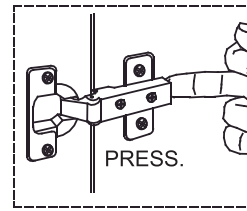
04.1



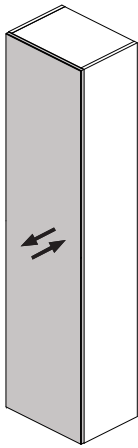
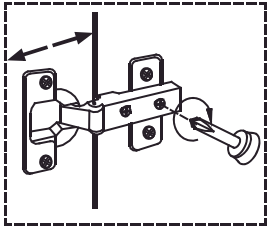
04.2



04.3



04.4



04.5

